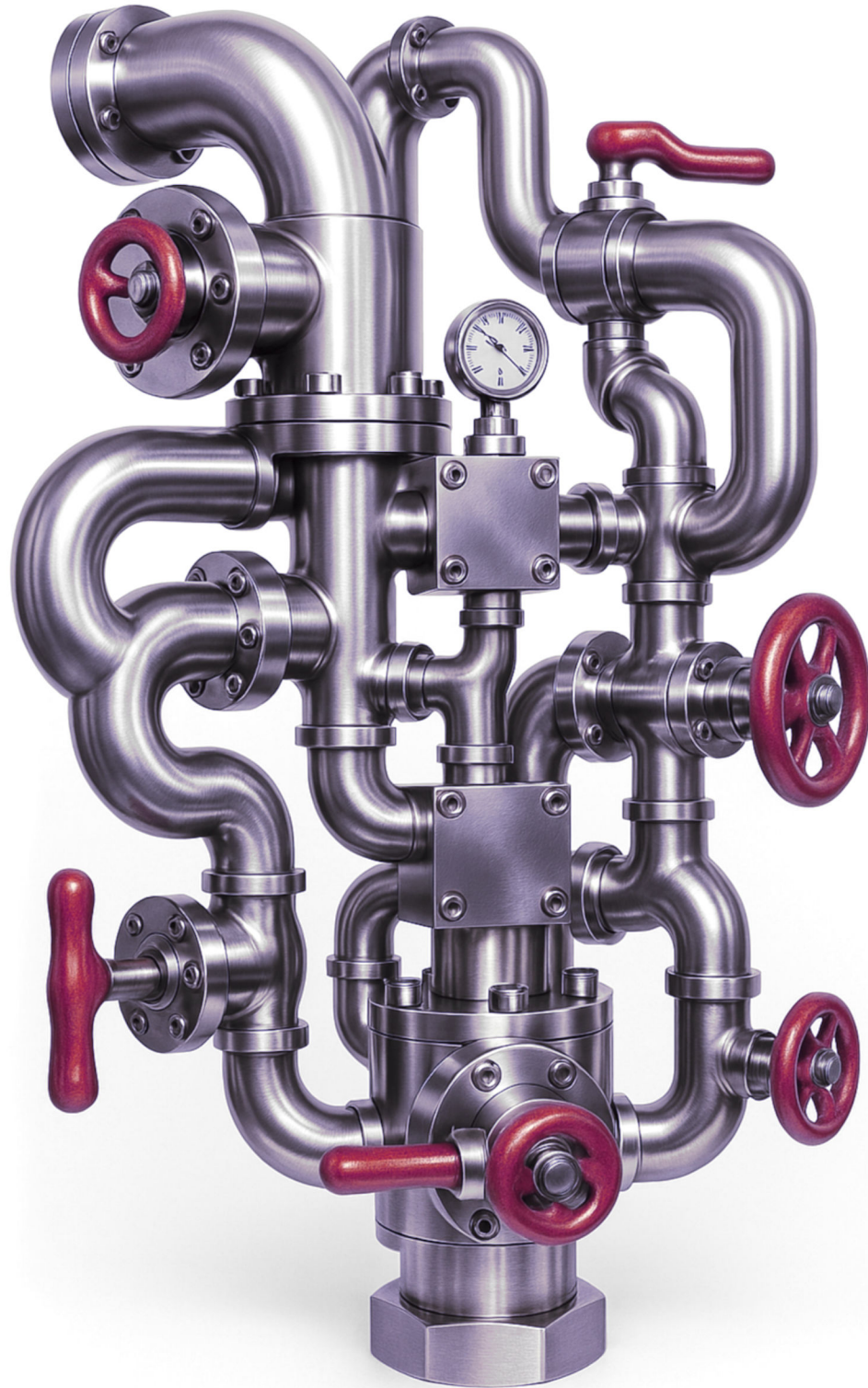


Complicated requirements?



Shut-off and control technology

Mobile hydraulics.
Simply ingenious.



Rötelmann has been a trusted partner in developing specialized solutions for heavy-duty machinery like excavators, low loaders, and cranes for decades. Whether it's a standard valve with custom features or a completely tailored system, we work closely with our customers to deliver exactly what their application requires. From high-pressure demands in excavators to precision control in cranes. We've done it all! These are just a few examples of where our expertise comes into play. Need something unique? Just ask!

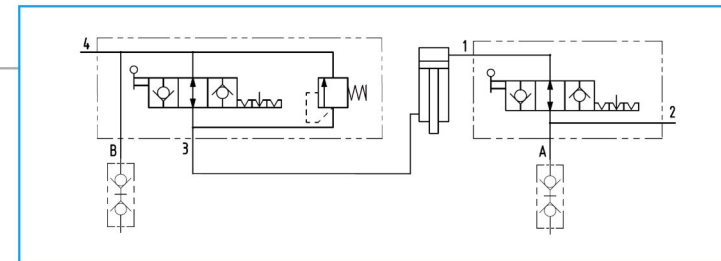
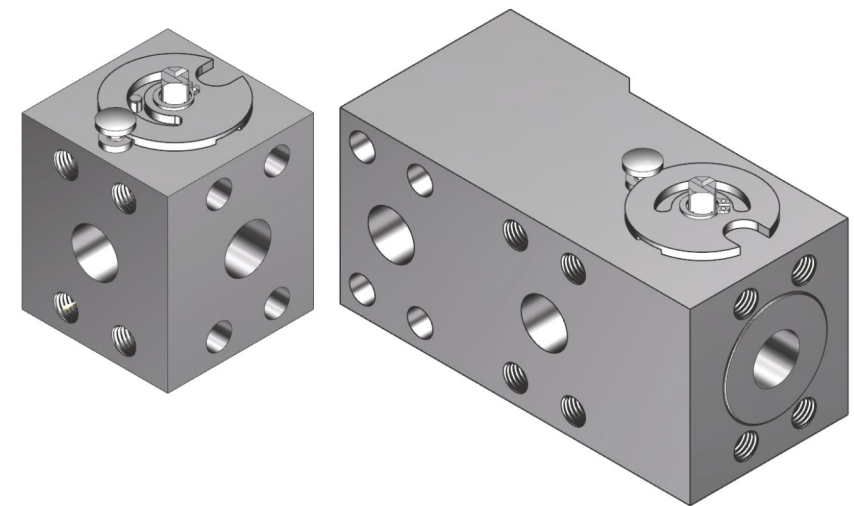
Special Applications



Excavators

Excavator valves

- 2-way ball valve with check valve function
- DN 19 + DN 25
- PN 420
- ISO 6162-2
- steel/POM-FKM
- available as single valves for the piston side and the rod side and as unit
- can be installed on either side



Modern excavators are very flexible, due to a number of different tools that can be attached. Also a high quality standard is required because of the heavy duty environment. Rötelmann offers ball valves for connecting tools, but also the capability to develop solutions for you challenges.

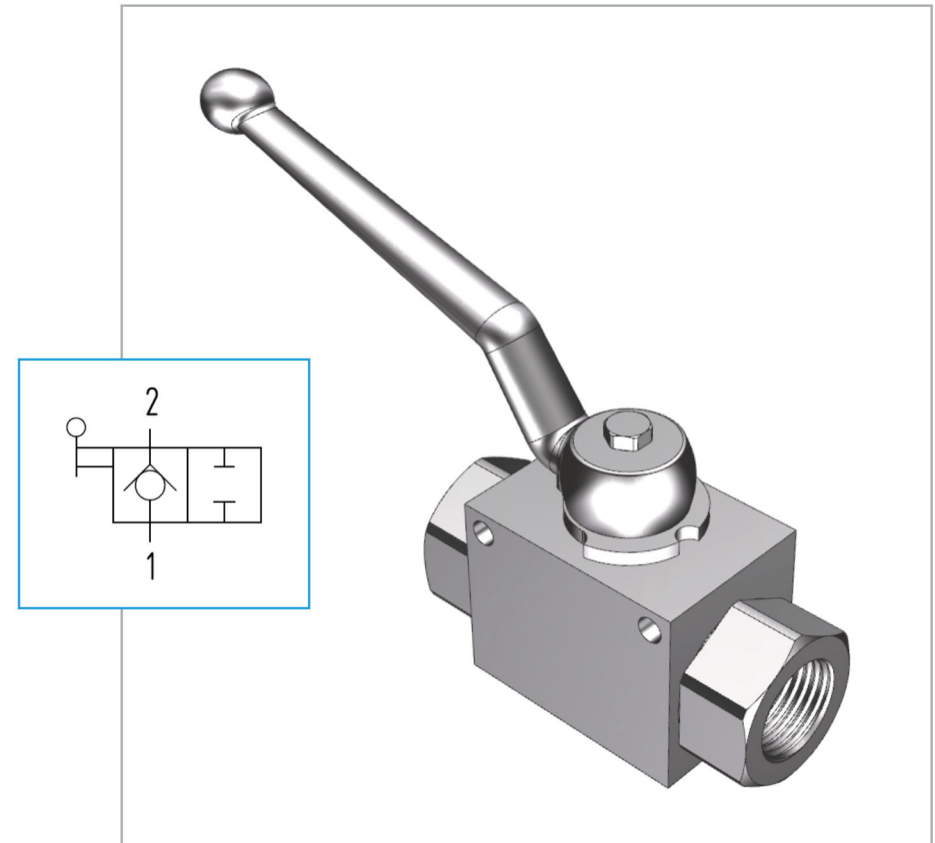
Low Loaders

Ball valves with check valve function

- 2-way ball valve
- DN 12 PN 500
- G1/2 female thread DIN EN ISO 228-1
- steel, zinc plated/POM-NBR
- with check valve function
- with holes for wall mounting
- vibration proof for transportation tasks

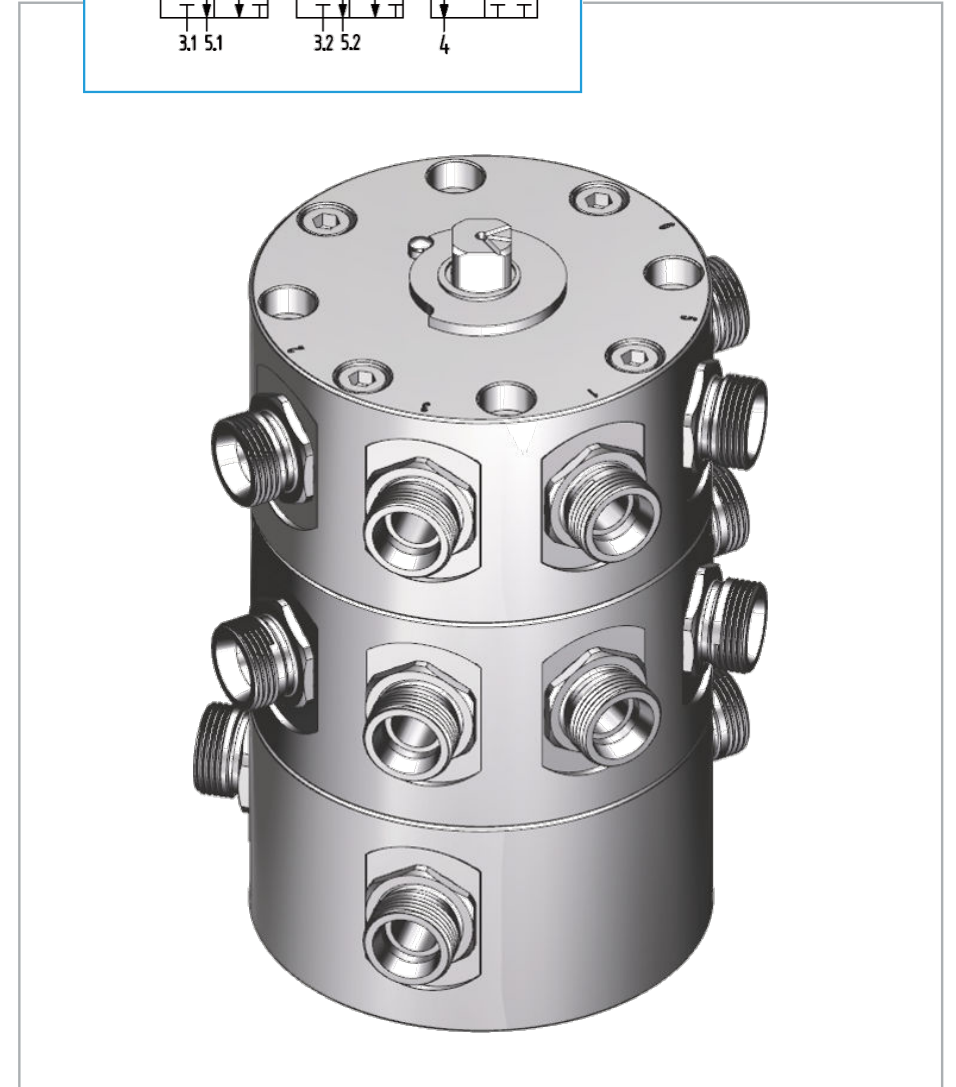
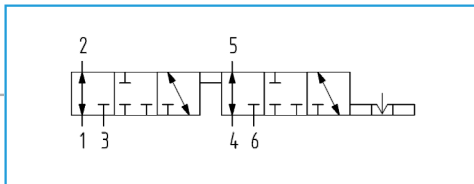
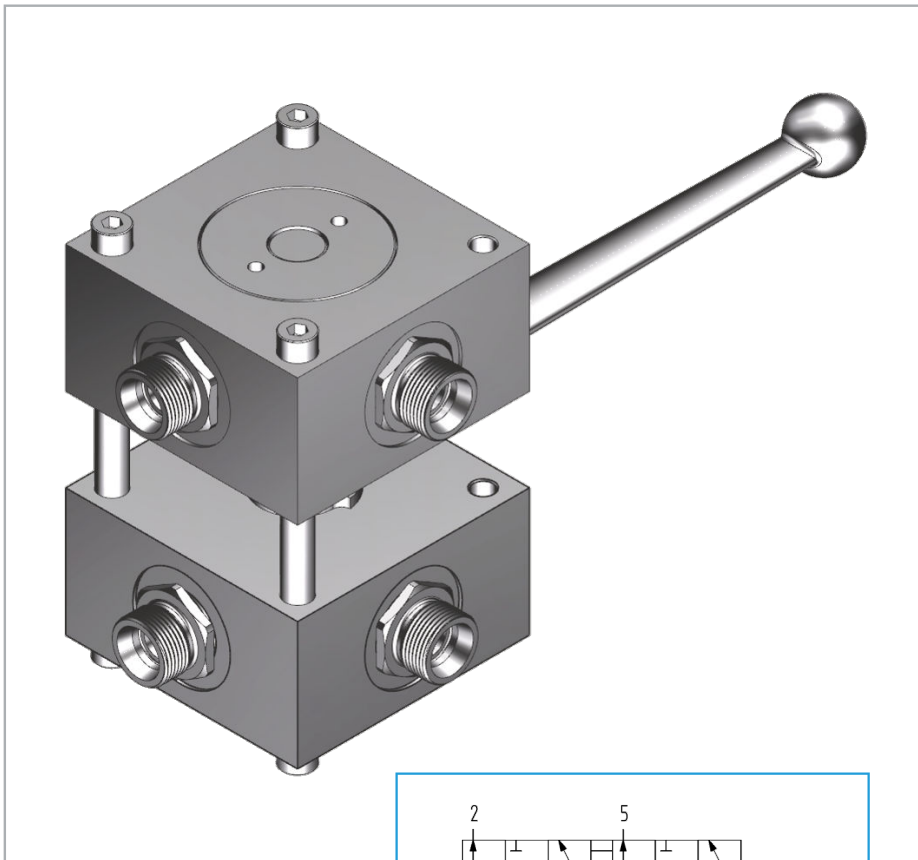
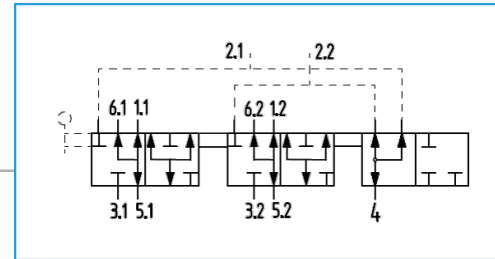


The transportation of heavy or huge machines, wind turbine components and other large equipment is done with heavy loaders. Lifting and lowering the trailer is part of the transportation. The hydraulics needs simple operation, durability and so Rötelmann is the first choice for producers of loaders.



Ball valve combinations

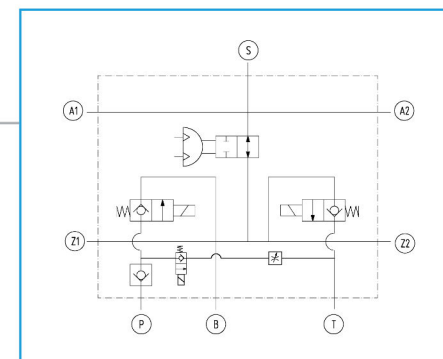
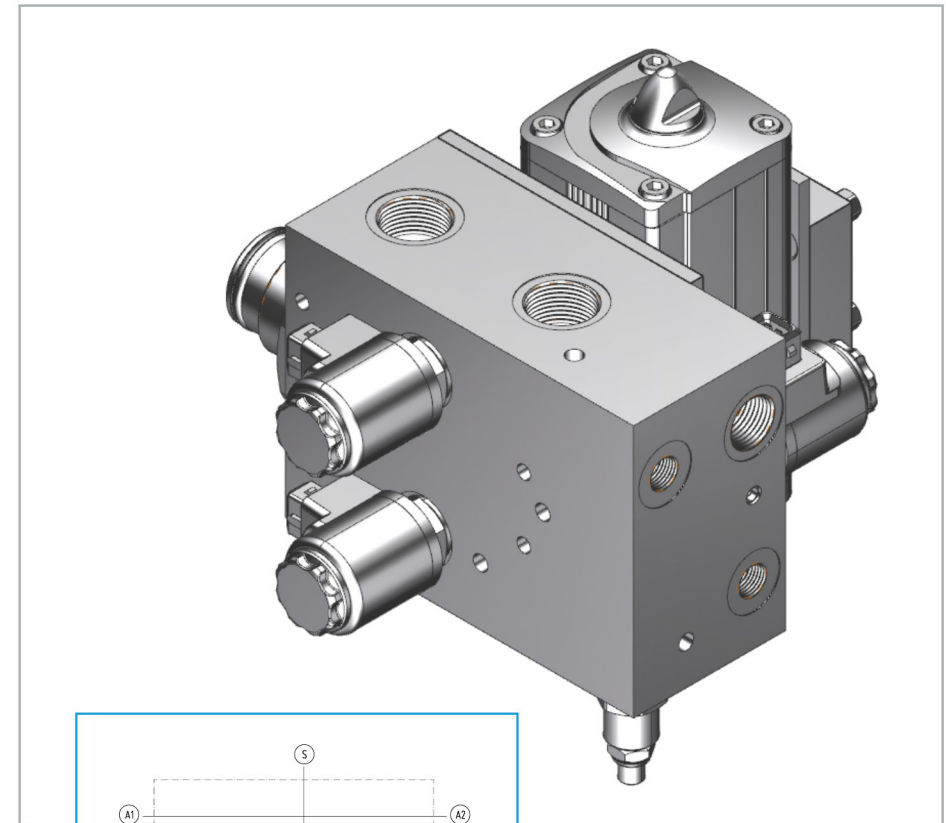
- one operation does it all at once
- solutions can be customized



Cranes

Suspension block

- one hydraulic block for different tasks
- with integrated actuated ball valve, check and needle valve as well as solenoid valves



Modern cranes can lift heavier loads than decades ago. With a lifting capacity up to 500 tons only hydraulics can handle this extreme weight. Rötelmann manifolds and valves are used in the control of the hydro pneumatic dampening system, for shutting off cylinders, control of outriggers and many more functions. Also because of the high demands, safety is an issue and therefore Rötelmann is the preferred choice.



Rötelmann GmbH

In der Lacke 10

58791 Werdohl

Germany

Phone +49 2392 9191-0

Fax +49 2392 9191-14

info@roetelmann.de

www.roetelmann.de

