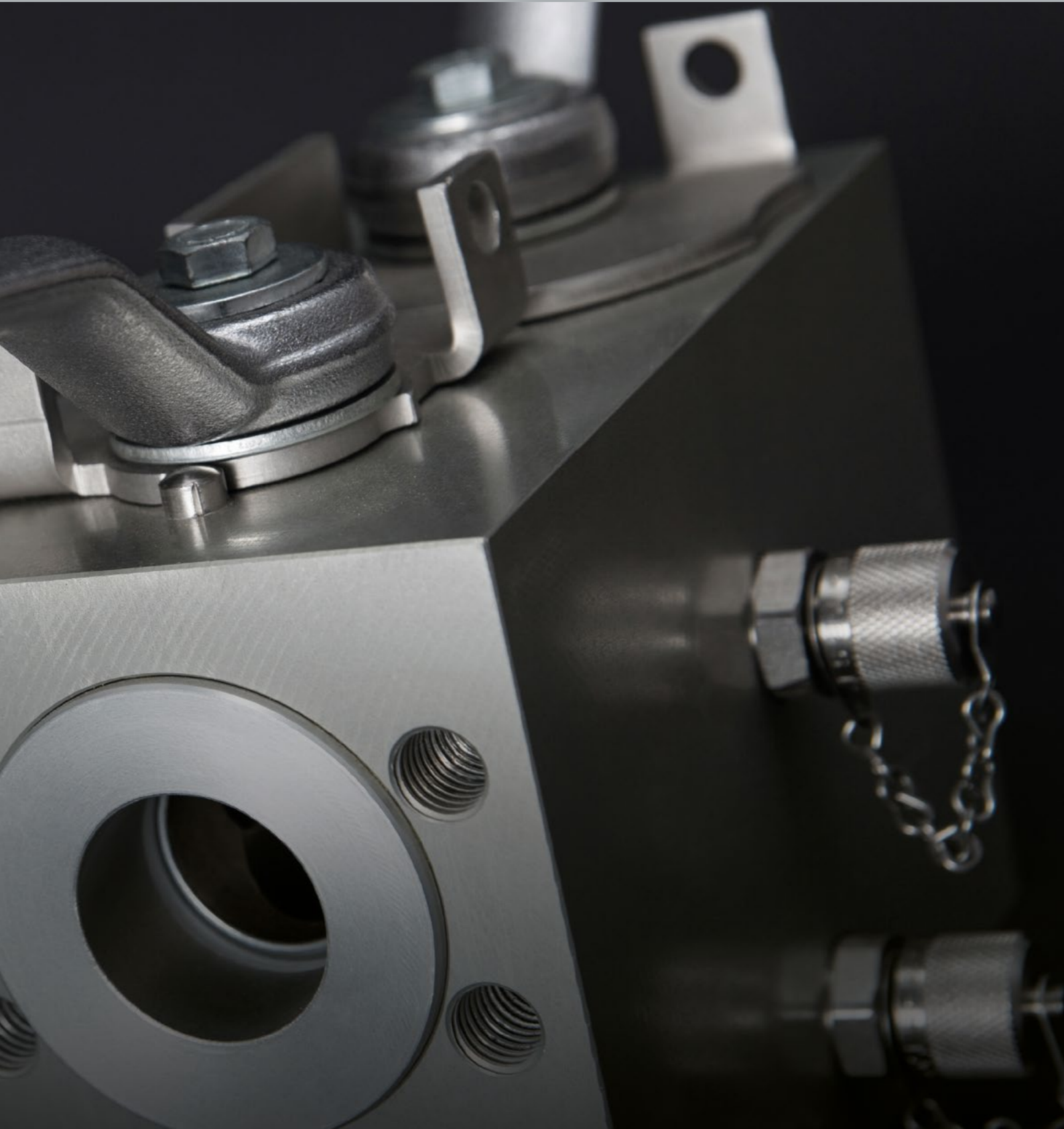


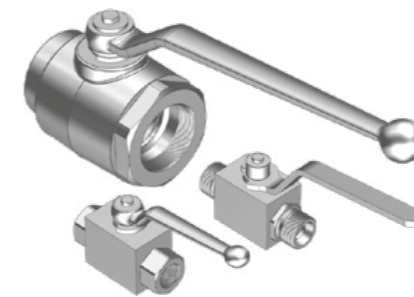
A line of **ball valves and ideas**



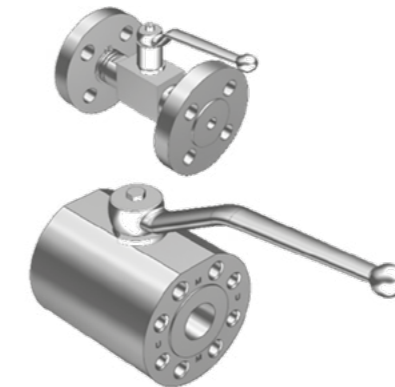
2-way ball valves

Product overview

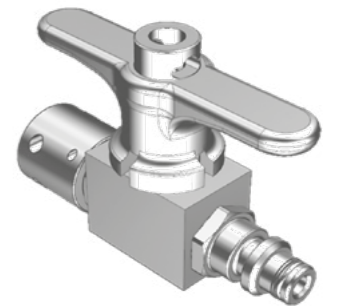
with threaded connector



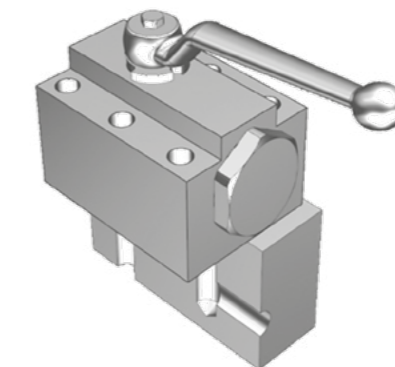
with flange connection



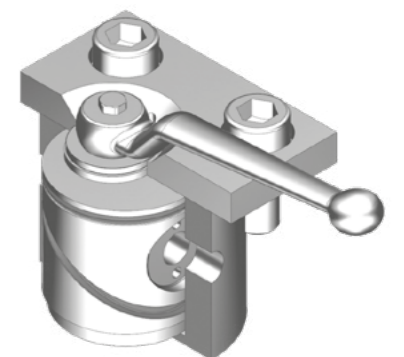
with staple-lock connector



for manifold mounting

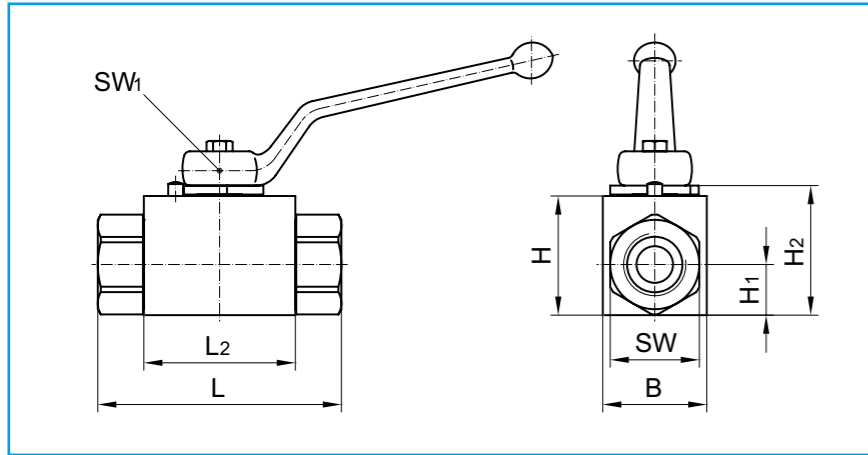


for manifold insertion as cartridge type



2-way ball valves with threaded connector

Steel · DN 4 - DN 40/25



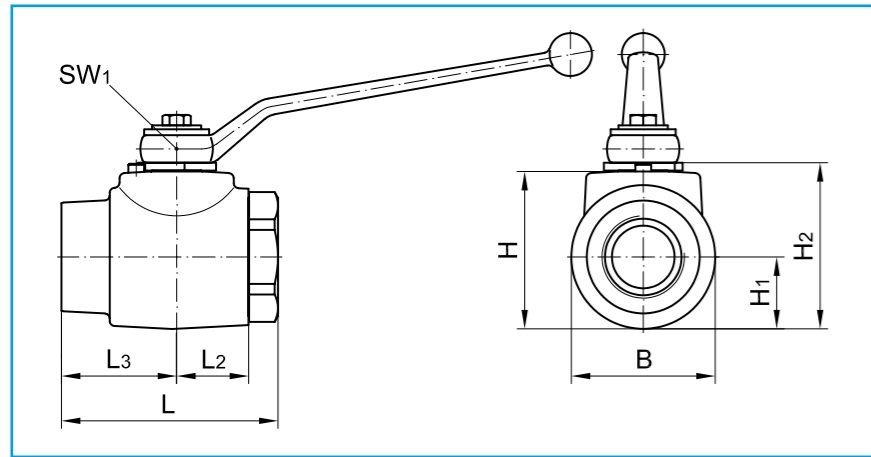
Handle included in delivery
 Please check pressure rating of the pipe fittings!
 For actuators and handles refer to "Attachments, accessories"
 Custom orders on request
 All dimensions subject to change without notice
 Dimensions in mm | Weight in kg | Pressure in bar

Body:	steel, black oxide	steel, zinc nickel plated	steel, black oxide	steel, zinc nickel plated
Ball:	steel, hard chrome plated	steel, hard chrome plated	steel, hard chrome plated	steel, hard chrome plated
Stem:	steel, zinc nickel plated	steel, zinc nickel plated	steel, zinc nickel plated	steel, zinc nickel plated
Ball seals:	POM	POM	POM	POM
Stem seals:	NBR	NBR	FKM	FKM
Stop plate:	steel, zinc nickel plated	steel, zinc nickel plated	steel, zinc nickel plated	steel, zinc nickel plated

Connection	DN	Thread D	OD	L	L ₁	L ₂	B	H	H ₁	H ₂	SW	SW ₁	Handle code	Weight	DN	PN		PN		PN		PN		
																Article no.	Article no.	Article no.	Article no.	Article no.	Article no.			
For cut (clamp) ring tube fitting DIN 2353 light series ISO 8434-1	4	M 12 x 1.5	6	67	10	36	20	25	10.0	27.5	19	7	12	0.2	4	500	100001	500	700501	500	100051	500	700561	
	6	M 14 x 1.5	8	67	10	36	20	25	10.0	27.5	19	7	12	0.2	6	500	100002	500	700502	500	100052	500	700562	
	8	M 16 x 1.5	10	75	11	45	30	35	14.5	38.5	24	8	13	0.4	8	500	100003	500	700503	500	100053	500	700563	
	10	M 18 x 1.5	12	75	11	45	30	35	14.5	38.5	24	8	13	0.4	10	500	100004	500	700504	500	100054	500	700564	
	12	M 22 x 1.5	15	83	12	51	35	40	17.0	43.5	30	10	14	0.6	12	500	100005	500	700505	500	100055	500	700565	
	16	M 26 x 1.5	18	82	12	50	45	45	20.0	48.5	36	10	14	0.9	16	420	100006	420	700506	420	100056	420	700566	
	20	M 30 x 2	22	99	14	60	45	55	24.0	59.0	41	14	15	1.2	20	420	100007	420	700507	420	100057	420	700567	
	25	M 36 x 2	28	108	14	70	55	60	26.0	64.0	50	14	15	1.8	25	420	100008	420	700508	420	100058	420	700568	
	32/25	M 45 x 2	35	116	16	70	55	60	26.0	64.0	50	14	15	1.9	32/25	420	100037	420	700509	420	100087	420	700569	
	40/25	M 52 x 2	42	121	16	70	55	60	26.0	64.0	55	14	15	2.1	40/25	420	100038	420	700511	420	100088	420	700571	
For cut (clamp) ring tube fitting DIN 2353 heavy series ISO 8434-1	4	M 16 x 1.5	8	73	12	36	20	25	10.0	27.5	19	7	12	0.2	4	500	100009	500	700513	500	100059	500	700575	
	6	M 18 x 1.5	10	73	12	36	20	25	10.0	27.5	19	7	12	0.2	6	500	100010	500	700514	500	100060	500	700576	
	8	M 20 x 1.5	12	77	12	45	30	35	14.5	38.5	24	8	13	0.4	8	500	100011	500	700515	500	100061	500	700577	
	10	M 22 x 1.5	14	81	14	45	30	35	14.5	38.5	24	8	13	0.4	10	500	100012	500	700516	500	100062	500	700578	
	12	M 24 x 1.5	16	87	14	51	35	40	17.0	43.5	30	10	14	0.7	12	500	100013	500	700517	500	100063	500	700579	
	16	M 30 x 2	20	90	16	50	45	45	20.0	48.5	36	10	14	0.9	16	420	100014	420	700518	420	100064	420	700580	
	20	M 36 x 2	25	107	18	60	45	55	24.0	59.0	41	14	15	1.3	20	420	100015	420	700519	420	100065	420	700581	
	25	M 42 x 2	30	120	20	70	55	60	26.0	64.0	50	14	15	1.9	25	420	100016	420	700520	420	100066	420	700582	
	32/25	M 52 x 2	38	134	22	70	55	60	26.0	64.0	55	14	15	2.2	32/25	420	100039	420	700521	420	100089	420	700583	
	BSP-female thread DIN EN ISO 228-1	4	G 1/8	-	71	12	36	20	25	10.0	27.5	19	7	12	0.2	4	500	100017	500	700001	500	100067	500	700025
6		G 1/4	-	71	12	36	20	25	10.0	27.5	19	7	12	0.2	6	500	100018	500	700002	500	100068	500	700026	
10		G 3/8	-	73	14	45	30	35	14.5	38.5	24	8	13	0.4	10	500	100019	500	700003	500	100069	500	700027	
12		G 1/2	-	82	15	51	35	40	17.0	43.5	30	10	14	0.7	12	500	100020	500	700004	500	100070	500	700028	
16		G 5/8	-	88	18	50	45	45	20.0	48.5	36	10	14	1.0	16	420	100021	420	700005	420	100071	420	700029	
20		G 3/4	-	93	18	60	45	55	24.0	59.0	41	14	15	1.3	20	420	100022	420	700006	420	100072	420	700030	
25		G 1	-	115	18	70	55	60	26.0	64.0	50	14	15	2.0	25	420	100023	420	700007	420	100073	420	700031	
32/25		G 1 1/4	-	134	20	70	55	60	26.0	64.0	50	14	15	2.1	32/25	420	100047	420	700008	420	100097	420	700032	
40/25		G 1 1/2	-	139	22	70	55	60	28.0	64.0	55	14	15	2.2	40/25	420	100048	420	700009	420	100098	420	700033	
NPT-female thread ANSI/ASME B1.20.1-1983		4	1/8 - 27	NPT	-	69	6.9	36	20	25	10.0	27.5	19	7	12	0.2	4	500	100024	500	700010	500	100074	500
	6	1/4 - 18	NPT	-	69	10.0	36	20	25	10.0	27.5	19	7	12	0.2	6	500	100025	500	700011	500	100075	500	700035
	10	3/8 - 18	NPT	-	73	10.3	45	30	35	14.5	38.5	24	8	13	0.4	10	500	100026	500	700012	500	100076	500	700036
	12	1/2 - 14	NPT	-	82	13.6	51	35	40	17.0	43.5	30	10	14	0.7	12	500	100027	500	700013	500	100077	500	700037
	20	3/4 - 14	NPT	-	93	14.1	60	45	55	24.0	59.0	41	14	15	1.3	20	420	100028	420	700014	420	100078	420	700038
	25	1 - 11 1/2	NPT	-	115	16.8	70	55	60	26.0	64.0	50	14	15	2.0	25	420	100029	420	700015	420	100079	420	700039
	32/25	1 1/4 - 11 1/2	NPT	-	131	17.3	70	55	60	26.0	64.0	50	14	15	2.1	32/25	420	100049	420	700016	420	100099	420	700040
	40/25	1 1/2 - 11 1/2	NPT	-	143	17.3	70	55	60	26.0	64.0	55	14	15	2.4	40/25	420	100050	420	700017	420	100100	420	700041

2-way ball valves with threaded connector

Steel · DN 32 - DN 50



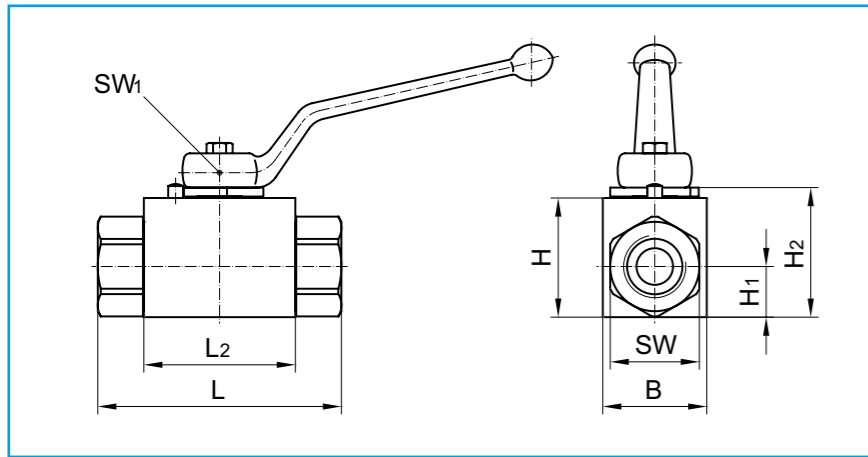
Handle included in delivery
 Please check pressure rating of the pipe fittings!
 For actuators and handles refer to "Attachments, accessories"
 Custom orders on request
 All dimensions subject to change without notice
 Dimensions in mm | Weight in kg | Pressure in bar

Body:	steel, black oxide	steel, zinc nickel plated	steel, black oxide	steel, zinc nickel plated
Ball:	steel, hard chrome plated	steel, hard chrome plated	steel, hard chrome plated	steel, hard chrome plated
Stem:	steel, zinc nickel plated	steel, zinc nickel plated	steel, zinc nickel plated	steel, zinc nickel plated
Ball seals:	POM	POM	POM	POM
Stem seals:	NBR	NBR	FKM	FKM
Stop plate:	steel, zinc nickel plated	steel, zinc nickel plated	steel, zinc nickel plated	steel, zinc nickel plated

Connection	DN	Thread	D	OD	L	L ₁	L ₂	L ₃	B	H	H ₁	H ₂	SW	SW ₁	Handle code	Weight	DN	PN	Article no.	PN	Article no.	PN	Article no.	PN	Article no.
For cut (clamp) ring tube fitting DIN 2353 light series ISO 8434-1	32	M 45 x 2	35	121	16	36.5	58.5	73	80	36.5	84.5	60	17	21	2.6	32	420	100251	420	700510	420	100301	420	700570	
	40	M 52 x 2	42	118	16	40.0	52.5	85	90	42.5	94.5	75	17	21	3.2	40	420	100252	420	700512	420	100302	420	700572	
For cut (clamp) ring tube fitting DIN 2353 heavy series ISO 8434-1	32	M 52 x 2	38	127	22	36.5	58.2	73	80	36.5	84.5	60	17	21	2.7	32	420	100253	420	700522	420	100303	420	700584	
	32	G 1 1/4	-	110	24.0	36.5	58.5	73	80	36.5	84.5	60	17	21	3.1	32	420	100254	420	700049	420	100304	420	700058	
BSP-female thread DIN EN ISO 228-1	40	G 1 1/2	-	114	26.0	40.0	57.0	85	90	42.5	94.5	75	17	21	4.0	40	420	100255	420	700050	420	100305	420	700059	
	50	G 2	-	129	27.5	48.0	65.0	99	104	49.5	108.5	85	17	22	5.0	50	420	100256	420	700051	420	100306	420	700060	
	32	1 1/4 NPT - 1 1/2 NPT	-	110	17.3	36.5	58.5	73	80	36.5	84.5	60	17	21	3.5	32	420	100257	420	700052	420	100307	420	700061	
NPT female thread ANSI/ASME B1.20.1-1983	40	1 1/2 NPT - 1 1/2 NPT	-	114	17.3	40.0	57.0	85	90	42.5	94.5	75	17	21	4.0	40	420	100258	420	700053	420	100308	420	700062	
	50	2 NPT - 1 1/2 NPT	-	129	17.7	48.0	65.0	99	104	49.5	108.5	85	17	22	5.3	50	420	100259	420	700054	420	100309	420	700063	
Female thread ISO 11926-1	32	1 5/8 - 12 UN - 2B	-	110	19.2	36.5	58.5	73	80	36.5	84.5	60	17	21	2.6	32	420	100460	420	700055	420	100463	420	700064	
	40	1 7/8 - 12 UN - 2B	-	114	19.2	40.0	57.0	85	90	42.5	94.5	75	17	21	4.4	40	420	100461	420	700056	420	100464	420	700065	
	50	2 1/2 - 12 UN - 2B	-	129	19.2	48.0	65.0	99	104	49.5	108.5	85	17	22	5.5	50	420	100462	420	700057	420	100465	420	700066	

2-way ball valves with threaded connector

Steel · DN 4 - DN 40/25



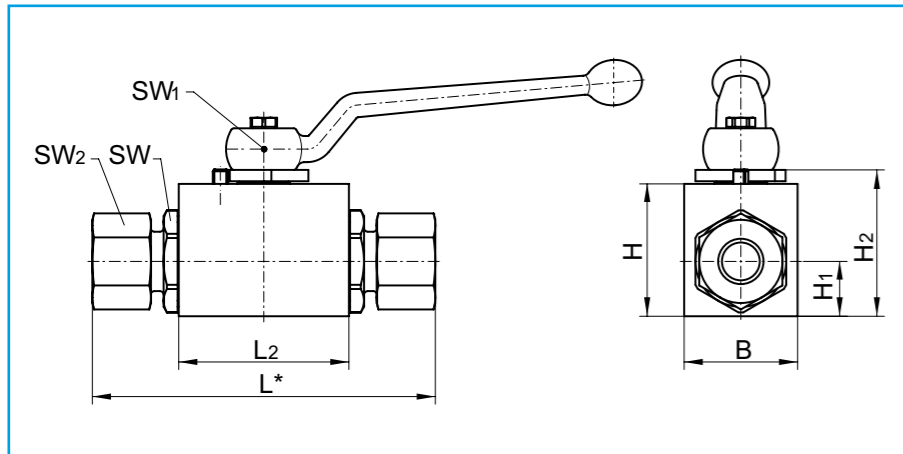
Handle included in delivery
 Please check pressure rating of the pipe fittings!
 For actuators and handles refer to "Attachments, accessories"
 Custom orders on request
 All dimensions subject to change without notice
 Dimensions in mm | Weight in kg | Pressure in bar

Body:	steel, black oxide	steel, zinc nickel plated	steel, black oxide	steel, zinc nickel plated
Ball:	steel, hard chrome plated	steel, hard chrome plated	steel, hard chrome plated	steel, hard chrome plated
Stem:	steel, zinc nickel plated	steel, zinc nickel plated	steel, zinc nickel plated	steel, zinc nickel plated
Ball seals:	POM	POM	POM	POM
Stem seals:	NBR	NBR	FKM	FKM
Stop plate:	steel, zinc nickel plated	steel, zinc nickel plated	steel, zinc nickel plated	steel, zinc nickel plated

Connection	DN	Thread D	OD	L	L ₁	L ₂	B	H	H ₁	H ₂	SW	SW ₁	Handle code	Weight	DN	PN		PN		PN		PN	
																Article no.	Article no.	Article no.	Article no.				
For cut (clamp) ring tube fitting with ball lining DIN 7601 DIN 3863	4	M 12 x 1.5	6	67	10	36	20	25	10.0	27.5	19	7	12	0.2	4	500	100475	500	700586	500	100483	500	700595
	6	M 14 x 1.5	8	67	10	36	20	25	10.0	27.5	19	7	12	0.2	6	500	100476	500	700587	500	100484	500	700596
	8	M 16 x 1.5	10	75	11	45	30	35	14.5	38.5	24	8	13	0.4	8	500	100477	500	700588	500	100485	500	700597
	10	M 18 x 1.5	12	75	11	45	30	35	14.5	38.5	24	8	13	0.4	10	500	100478	500	700589	500	100486	500	700598
	12	M 22 x 1.5	15	83	12	51	35	40	17.0	43.5	30	10	14	0.6	12	500	100479	500	700590	500	100487	500	700599
	16	M 26 x 1.5	18	82	12	50	45	45	20.0	48.5	36	10	14	0.9	16	420	100480	420	700591	420	100488	420	700600
	20	M 30 x 1.5	22	99	14	60	45	55	24.0	59.0	41	14	15	1.2	20	420	100481	420	700592	420	100489	420	700601
NPT-male thread ANSI/ASME B1.20.1-1983	4	1/8 - 27 NPT	-	67	10.0	36	20	25	10.0	27.5	19	7	12	0.2	4	500	100613	500	700604	500	100619	500	700612
	6	1/4 - 18 NPT	-	77	15.1	36	20	25	10.0	27.5	19	7	12	0.2	6	500	100614	500	700605	500	100620	500	700613
	8	3/8 - 18 NPT	-	85	15.3	45	30	35	14.5	38.5	24	8	13	0.5	8	500	100615	500	700606	500	100621	500	700614
	10	1/2 - 14 NPT	-	93	19.9	45	30	35	14.5	38.5	24	8	13	0.5	10	500	100616	500	700607	500	100622	500	700615
	16	3/4 - 14 NPT	-	99	20.2	50	45	45	20.0	48.5	36	10	14	0.9	16	420	100617	420	700608	420	100623	420	700616
	20	1 - 11½ NPT	-	121	25.0	60	45	55	24.0	59.0	41	14	15	1.3	20	420	100618	420	700609	420	100624	420	700617
	25	1¼ - 11½ NPT	-	131	25.6	70	55	60	26.0	64.0	50	14	15	1.8	25	420	100647	420	700610	420	100648	420	700618
BSP-male thread (flat seal) DIN EN ISO 228-1	4	G 1/8 M	-	67	10	36	20	25	10.0	27.5	19	7	12	0.2	4	500	100631	500	700620	500	100639	500	700629
	6	G 1/4 M	-	69	11	36	20	25	10.0	27.5	19	7	12	0.2	6	500	100632	500	700621	500	100640	500	700630
	8	G 3/8 M	-	77	12	45	30	35	14.5	38.5	24	8	13	0.4	8	500	100633	500	700622	500	100641	500	700631
	10	G 1/2 M	-	77	12	45	30	35	14.5	38.5	24	8	13	0.4	10	500	100634	500	700623	500	100642	500	700632
	12	G 5/8 M	-	83	12	51	35	40	17.0	43.5	30	10	14	0.6	12	500	100635	500	700624	500	100643	500	700633
	16	G 3/4 M	-	86	14	50	45	45	20.0	48.5	36	10	14	0.9	16	420	100636	420	700625	420	100644	420	700634
	20	G 1 M	-	103	16	60	45	55	24.0	59.0	41	14	15	1.2	20	420	100637	420	700626	420	100645	420	700635
Female thread ISO 11926-1	6	7/16 - 20 UNF - 2B	-	69	11.5	36	20	25	10.0	27.5	19	7	12	0.2	6	500	100031	500	700018	500	100081	500	700042
	10	9/16 - 18 UNF - 2B	-	73	12.7	45	30	35	14.5	38.5	24	8	13	0.5	10	500	100032	500	700019	500	100082	500	700043
	12	3/4 - 16 UNF - 2B	-	82	14.5	51	35	40	17.0	43.5	30	10	14	0.8	12	500	100033	500	700020	500	100083	500	700044
	20	1 1/16 - 12 UN - 2B	-	93	19.2	60	45	55	24.0	59.0	41	14	15	1.2	20	420	100035	420	700021	420	100085	420	700045
	25	1 5/16 - 12 UN - 2B	-	115	19.2	70	55	60	26.0	64.0	50	14	15	1.5	25	420	100036	420	700022	420	100086	420	700046
	32/25	1 5/8 - 12 UN - 2B	-	131	19.2	70	55	60	26.0	64.0	55	14	15	2.2	32/25	420	100137	420	700023	420	100139	420	700047
	40/25	1 7/8 - 12 UN - 2B	-	134	19.2	70	55	60	26.0	64.0	65	14	15	2.3	40/25	420	100138	420	700024	420	100140	420	700048

2-way ball valves with threaded connector

Steel · DN 4 - DN 25 · preassembled



Handle included in delivery
 Please check pressure rating of the pipe fittings!
 For actuators and handles refer to "Attachments, accessories"
 Custom orders on request

Also available with most other connections
 All dimensions subject to change without notice
 Dimensions in mm | Weight in kg | Pressure in bar
 * Hand tight

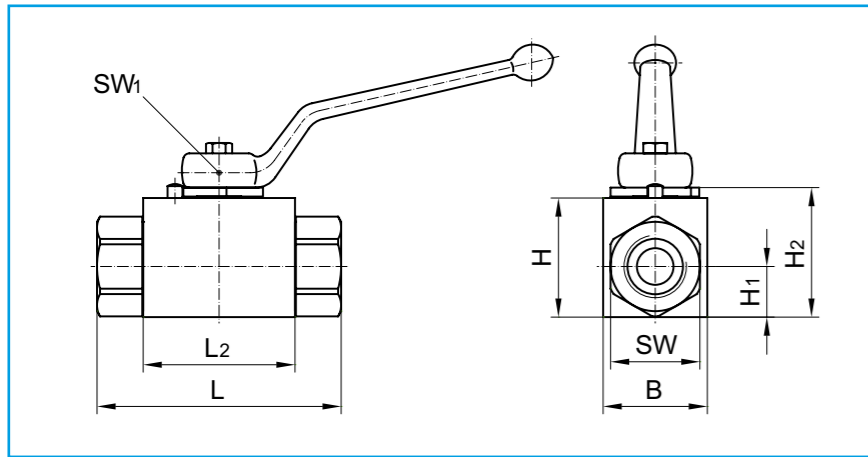
Body:	steel, zinc nickel plated	steel, zinc nickel plated
Ball:	steel, hard chrome plated	steel, hard chrome plated
Stem:	steel, zinc nickel plated	steel, zinc nickel plated
Ball seals:	POM	POM
Stem seals:	NBR	FKM
Stop plate:	steel, zinc nickel plated	steel, zinc nickel plated
Union nut:	steel, zinc nickel plated	steel, zinc nickel plated
Cutting ring:	steel, zinc nickel plated	steel, zinc nickel plated

Connection	DN	Thread D	OD	L*	L1	L2	B	H	H1	H2	SW	SW2	SW1	Handle code	Weight
For cut (clamp) ring tube fitting DIN 2353 light series ISO 8434-1	4	M 12 x 1.5	6	83	10	36	20	25	10.0	27.5	19	14	7	12	0.2
	6	M 14 x 1.5	8	83	10	36	20	25	10.0	27.5	19	17	7	12	0.2
	8	M 16 x 1.5	10	91	11	45	30	35	14.5	38.5	24	19	8	13	0.4
	10	M 18 x 1.5	12	91	11	45	30	35	14.5	38.5	24	22	8	13	0.4
	12	M 22 x 1.5	15	100	12	51	35	40	17.0	43.5	30	27	10	14	0.6
	16	M 26 x 1.5	18	101	12	50	45	45	20.0	48.5	36	32	10	14	0.9
	20	M 30 x 2	22	120	14	60	45	55	24.0	59.0	41	36	14	15	1.2
25	M 36 x 2	28	133	14	70	55	60	26.0	64.0	50	41	14	15	1.8	
For cut (clamp) ring tube fitting DIN 2353 heavy series ISO 8434-1	4	M 16 x 1.5	8	89	12	36	20	25	10.0	27.5	19	19	7	12	0.2
	6	M 18 x 1.5	10	89	12	36	20	25	10.0	27.5	19	22	7	12	0.2
	8	M 20 x 1.5	12	95	12	45	30	35	14.5	38.5	24	24	8	13	0.4
	10	M 22 x 1.5	14	101	14	45	30	35	14.5	38.5	24	27	8	13	0.4
	12	M 24 x 1.5	16	107	14	51	35	40	17.0	43.5	30	30	10	14	0.7
	16	M 30 x 2	20	115	16	50	45	45	20.0	48.5	36	36	10	14	0.9
	20	M 36 x 2	25	134	18	60	45	55	24.0	59.0	41	46	14	15	1.3
25	M 42 x 2	30	147	20	70	55	60	26.0	64.0	50	50	14	15	1.9	

DN	PN	Article no.	PN	Article no.
4	500	700840	500	700858
6	500	700841	500	700859
8	500	700842	500	700860
10	500	700843	500	700861
12	500	700844	500	700862
16	420	700845	420	700863
20	420	700846	420	700864
25	420	700847	420	700865
4	500	700849	500	700867
6	500	700850	500	700868
8	500	700851	500	700869
10	500	700852	500	700870
12	500	700853	500	700871
16	420	700854	420	700872
20	420	700855	420	700873
25	420	700856	420	700874

2-way ball valves with threaded connector

Steel · DN 4 - DN 25



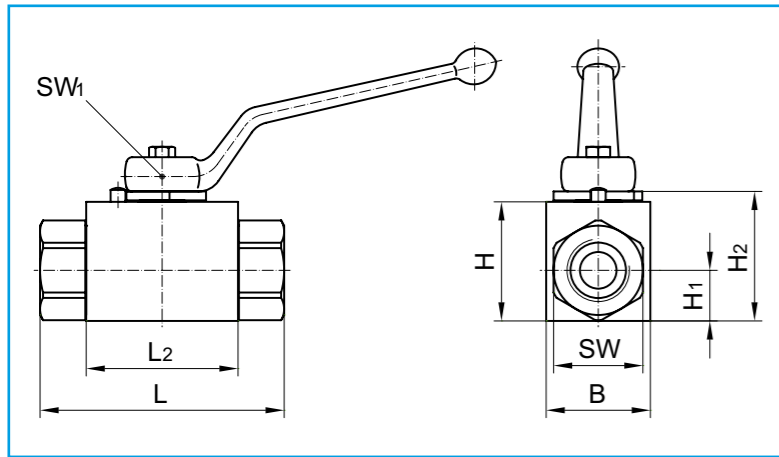
*) included in delivery
 Handle included in delivery
 Please check pressure rating of the pipe fittings!
 For actuators and handles refer to "Attachments, accessories"
 Custom orders on request
 All dimensions subject to change without notice
 Dimensions in mm | Weight in kg | Pressure in bar

Body:	steel, black oxide	steel, zinc nickel plated	steel, black oxide	steel, zinc nickel plated
Ball:	steel, hard chrome plated	steel, hard chrome plated	steel, hard chrome plated	steel, hard chrome plated
Stem:	steel, zinc nickel plated	steel, zinc nickel plated	steel, zinc nickel plated	steel, zinc nickel plated
Ball seals:	POM	POM	POM	POM
Stem seals:	NBR	NBR	FKM	FKM
Stop plate:	steel, zinc nickel plated	steel, zinc nickel plated	steel, zinc nickel plated	steel, zinc nickel plated

Connection	DN	Thread D	L	L1	L2	B	H	H1	H2	SW	SW1	Handle code	O-ring	Weight	DN	PN	Article no.	PN	Article no.	PN	Article no.	PN	Article no.
Male thread ISO 8434-3	6	9/16-18 UNF	67	10.0	36	20	25	10.0	27.5	19	7	12	7.65 x 1.78*	0.2	6	500	101111	500	700638	500	101121	500	700646
	8	11/16-16 UN	75	11.0	45	30	35	14.5	38.5	24	8	13	9.25 x 1.78*	0.4	8	500	101112	500	700639	500	101122	500	700647
	10	13/16-16 UN	79	13.0	45	30	35	14.5	38.5	24	8	13	12.42 x 1.78*	0.4	10	500	101113	500	700640	500	101123	500	700648
	12	1-14 UNS	90	15.5	51	35	40	17.0	43.5	30	10	14	15.60 x 1.78*	0.7	12	500	101114	500	700641	500	101124	500	700649
	16	13/16-12 UN	92	17.0	50	45	45	20.0	48.5	36	10	14	18.77 x 1.78*	0.9	16	420	101115	500	700642	420	101125	500	700650
	20	17/16-12 UN	106	17.5	60	45	55	24.0	59.0	41	14	15	23.52 x 1.78*	1.2	20	420	101116	420	700643	420	101126	420	700651
	25	111/16-12 UN	115	17.5	70	55	60	26.0	64.0	50	14	15	29.87 x 1.78*	1.8	25	420	101117	420	700644	420	101127	420	700652
Female thread ISO 6149-1	4	M 10 x 1.0	69	10.0	36	20	25	10.0	27.5	19	7	12	-	0.2	4	500	101141	500	700654	500	101151	500	700663
	6	M 12 x 1.5	69	11.5	36	20	25	10.0	27.5	19	7	12	-	0.2	6	500	101142	500	700655	500	101152	500	700664
	8	M 14 x 1.5	73	11.5	45	30	35	14.5	38.5	24	8	13	-	0.4	8	500	101143	500	700656	500	101153	500	700665
	10	M 16 x 1.5	73	13.0	45	30	35	14.5	38.5	24	8	13	-	0.4	10	500	101144	500	700657	500	101154	500	700666
	12	M 18 x 1.5	82	14.5	51	35	40	17.0	43.5	30	10	14	-	0.7	12	500	101145	500	700658	500	101155	500	700667
	16	M 22 x 1.5	88	15.5	50	45	45	20.0	48.5	36	10	14	-	1.0	16	420	101146	420	700659	420	101156	420	700668
	20	M 27 x 2	93	19.0	60	45	55	24.0	59.0	41	14	15	-	1.3	20	420	101147	420	700660	420	101157	420	700669
	25	M 33 x 2	115	19.0	70	55	60	26.0	64.0	50	14	15	-	2.0	25	420	101148	420	700661	420	101158	420	700670
BSPT-female thread ISO 7-1	4	Rc 1/8	69	6.5	36	20	25	10.0	27.5	19	7	12	-	0.2	4	500	101361	500	700672	500	101367	500	700679
	6	Rc 1/4	69	9.7	36	20	25	10.0	27.5	19	7	12	-	0.2	6	500	101362	500	700673	500	101368	500	700680
	10	Rc 3/8	72	10.1	45	30	35	14.5	38.5	24	8	13	-	0.4	10	500	101363	500	700674	500	101369	500	700681
	12	Rc 1/2	83	13.2	51	35	40	17.0	43.5	30	10	14	-	0.7	12	500	101364	500	700675	500	101370	500	700682
	20	Rc 3/4	95	14.5	60	45	55	24.0	59.0	41	14	15	-	1.3	20	420	101365	420	700676	420	101371	420	700683
	25	Rc 1	113	16.8	70	55	60	26.0	64.0	50	14	15	-	2.0	25	420	101366	420	700677	420	101372	420	700684

2-way ball valves with threaded connector

Stainless steel · DN 4 - DN 25



Handle included in delivery
 Please check pressure rating of the pipe fittings!
 For actuators and handles refer to "Attachments, accessories"
 Stainless steel (material no. 1.4571 - or other stainless steels)
 Custom orders on request

Also available with most other connections
 All dimensions subject to change without notice
 Dimensions in mm | Weight in kg | Pressure in bar

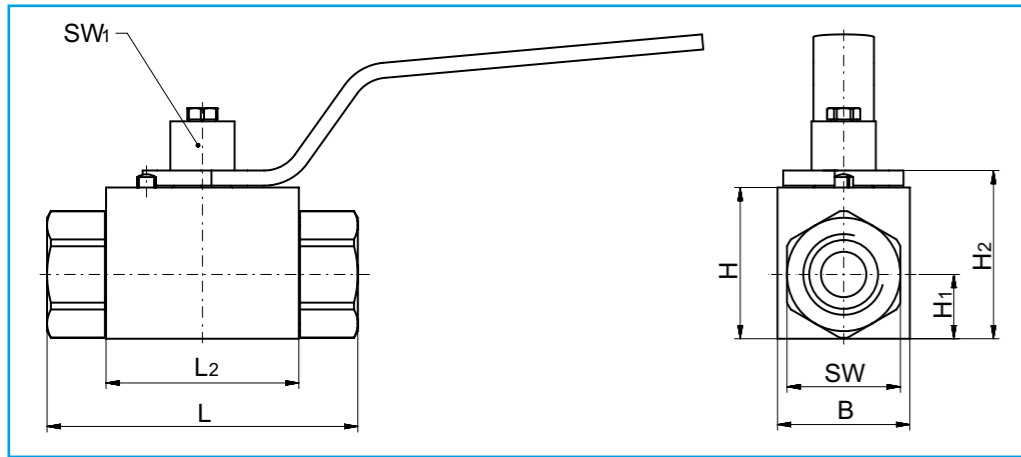
Body:	stainless steel	stainless steel	stainless steel
Ball:	stainless steel	stainless steel	stainless steel
Stem:	stainless steel	stainless steel	stainless steel
Ball seals:	POM	PTFE	PEEK
Stem seals:	FKM	FKM	FKM
Stop plate:	steel, zinc nickel plated	steel, zinc nickel plated	steel, zinc nickel plated

Connection	DN	Thread D	OD	L	L ₁	L ₂	B	H	H ₁	H ₂	SW	SW ₁	Handle code	Weight
For cut (clamp) ring tube fitting DIN 2353 light series ISO 8434-1	4	M 12 x 1.5	6	67	10	36	20	25	10.0	27.5	19	7	12	0.2
	6	M 14 x 1.5	8	67	10	36	20	25	10.0	27.5	19	7	12	0.2
	8	M 16 x 1.5	10	75	11	45	30	35	14.5	38.5	24	8	13	0.4
	10	M 18 x 1.5	12	75	11	45	30	35	14.5	38.5	24	8	13	0.4
	12	M 22 x 1.5	15	83	12	51	35	40	17.0	43.5	30	10	14	0.6
	16	M 26 x 1.5	18	99	12	60	45	55	24.0	59.0	41	14	15	1.2
For cut (clamp) ring tube fitting DIN 2353 heavy series ISO 8434-1	20	M 30 x 2	22	99	14	60	45	55	24.0	59.0	41	14	15	1.2
	25	M 36 x 2	28	108	14	70	55	60	26.0	64.0	50	14	15	1.8
	4	M 16 x 1.5	8	73	12	36	20	25	10.0	27.5	19	7	12	0.2
	6	M 18 x 1.5	10	73	12	36	20	25	10.0	27.5	19	7	12	0.2
	8	M 20 x 1.5	12	77	12	45	30	35	14.5	38.5	24	8	13	0.4
	10	M 22 x 1.5	14	81	14	45	30	35	14.5	38.5	24	8	13	0.4
BSP-female thread DIN EN ISO 228-1	12	M 24 x 1.5	16	87	14	51	35	40	17.0	43.5	30	10	14	0.7
	16	M 30 x 2	20	107	16	60	45	55	24.0	59.0	41	14	15	1.3
	20	M 36 x 2	25	107	18	60	45	55	24.0	59.0	41	14	15	1.3
	25	M 42 x 2	30	120	20	70	55	60	26.0	64.0	50	14	15	1.9
	4	G 1/8	-	71	12	36	20	25	10.0	27.5	19	7	12	0.2
	6	G 1/4	-	71	12	36	20	25	10.0	27.5	19	7	12	0.2
NPT-female thread ANSI/ASME B1.20.1-1983	10	G 3/8	-	73	14	45	30	35	14.5	38.5	24	8	13	0.4
	12	G 1/2	-	82	15	51	35	40	17.0	43.5	30	10	14	0.7
	16	G 5/8	-	93	18	60	45	55	24.0	59.0	41	14	15	1.3
	20	G 3/4	-	93	18	60	45	55	24.0	59.0	41	14	15	1.3
	25	G 1	-	115	18	70	55	60	26.0	64.0	50	14	15	2.0
	4	1/8 - 27 NPT	-	69	6.9	36	20	25	10.0	27.5	19	7	12	0.2
6	1/4 - 18 NPT	-	69	10.0	36	20	25	10.0	27.5	19	7	12	0.2	
10	3/8 - 18 NPT	-	73	10.3	45	30	35	14.5	38.5	24	8	13	0.4	
12	1/2 - 14 NPT	-	82	13.6	51	35	40	17.0	43.5	30	10	14	0.7	
20	3/4 - 14 NPT	-	93	14.1	60	45	55	24.0	59.0	41	14	15	1.3	
25	1 - 11 1/2 NPT	-	115	16.8	70	55	60	26.0	64.0	50	14	15	2.0	

DN	PN	Article no.	PN	Article no.	PN	Article no.
4	500	109400	315	109460	500	109688
6	500	109401	315	109461	500	109689
8	500	109402	315	109462	500	109690
10	500	109403	315	109463	500	109691
12	500	109404	315	109464	500	109692
16	420	109405	250	109465	420	109693
20	420	109406	250	109466	420	109694
25	420	109407	250	109467	420	109695
4	500	109408	315	109468	500	109696
6	500	109409	315	109469	500	109697
8	500	109410	315	109470	500	109698
10	500	109411	315	109471	500	109699
12	500	109412	315	109472	500	109700
16	420	109413	250	109473	420	109701
20	420	109414	250	109474	420	109702
25	420	109415	250	109475	420	109703
4	500	109416	315	109476	500	109704
6	500	109417	315	109477	500	109705
10	500	109418	315	109478	500	109706
12	500	109419	315	109479	500	109707
16	420	109420	250	109480	420	109708
20	420	109421	250	109481	420	109709
25	420	109422	250	109482	420	109710
4	500	109423	315	109483	500	109711
6	500	109424	315	109484	500	109712
10	500	109425	315	109485	500	109713
12	500	109426	315	109486	500	109714
20	420	109427	250	109487	420	109715
25	420	109428	250	109488	420	109716

2-way ball valves with threaded connector

Stainless steel · DN 4 - DN 25 · with stainless steel handle



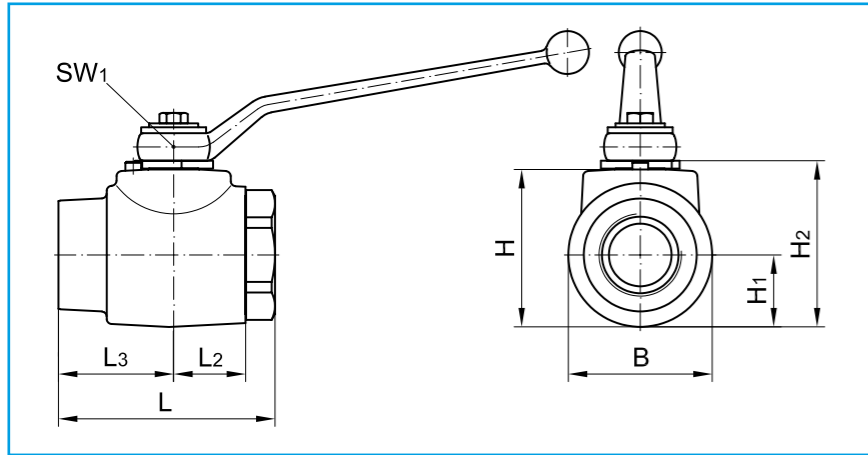
Handle included in delivery
 Please check pressure rating of the pipe fittings!
 For actuators and handles refer to "Attachments, accessories"
 Stainless steel (material no. 1.4571 - or other stainless steels)
 Custom orders on request
 Also available with most other connections
 All dimensions subject to change without notice
 Dimensions in mm | Weight in kg | Pressure in bar

Body:	stainless steel	stainless steel	stainless steel
Ball:	stainless steel	stainless steel	stainless steel
Stem:	stainless steel	stainless steel	stainless steel
Ball seals:	POM	PTFE	PEEK
Stem seals:	FKM	FKM	FKM

Connection	DN	Thread D	OD	L	L ₁	L ₂	B	H	H ₁	H ₂	SW	SW ₁	Handle code	Weight	DN	PN	Article no.	PN	Article no.	PN	Article no.
For cut (clamp) ring tube fitting DIN 2353 light series ISO 8434-1	4	M 12 x 1.5	6	67	10	36	20	25	10.0	29.5	19	7	32	0.2	4	500	109490	315	109430	500	109718
	6	M 14 x 1.5	8	67	10	36	20	25	10.0	29.5	19	7	32	0.2	6	500	109491	315	109431	500	109719
	8	M 16 x 1.5	10	75	11	45	30	35	14.5	39.5	24	8	33	0.4	8	500	109492	315	109432	500	109720
	10	M 18 x 1.5	12	75	11	45	30	35	14.5	39.5	24	8	33	0.4	10	500	109493	315	109433	500	109721
	12	M 22 x 1.5	15	83	12	51	35	40	17.0	44.5	30	10	34	0.6	12	500	109494	315	109434	500	109722
	16	M 26 x 1.5	18	99	12	60	45	55	24.0	60.5	41	14	35	1.2	16	420	109495	250	109435	420	109723
For cut (clamp) ring tube fitting DIN 2353 heavy series ISO 8434-1	20	M 30 x 2	22	99	14	60	45	55	24.0	60.5	41	14	35	1.2	20	420	109496	250	109436	420	109724
	25	M 36 x 2	28	108	14	70	55	60	26.0	65.5	50	14	35	1.8	25	420	109497	250	109437	420	109725
	4	M 16 x 1.5	8	73	12	36	20	25	10.0	29.5	19	7	32	0.2	4	500	109498	315	109438	500	109727
	6	M 18 x 1.5	10	73	12	36	20	25	10.0	29.5	19	7	32	0.2	6	500	109499	315	109439	500	109728
	8	M 20 x 1.5	12	77	12	45	30	35	14.5	39.5	24	8	33	0.4	8	500	109500	315	109440	500	109729
	10	M 22 x 1.5	14	81	14	45	30	35	14.5	39.5	24	8	33	0.4	10	500	109501	315	109441	500	109730
BSP-female thread DIN EN ISO 228-1	12	M 24 x 1.5	16	87	14	51	35	40	17.0	44.5	30	10	34	0.7	12	500	109502	315	109442	500	109731
	16	M 30 x 2	20	107	16	60	45	55	24.0	60.5	41	14	35	1.3	16	420	109503	250	109443	420	109732
	20	M 36 x 2	25	107	18	60	45	55	24.0	60.5	41	14	35	1.3	20	420	109504	250	109444	420	109733
	25	M 42 x 2	30	120	20	70	55	60	26.0	65.5	50	14	35	1.9	25	420	109505	250	109445	420	109734
	4	G 1/8	-	71	12	36	20	25	10.0	29.5	19	7	32	0.2	4	500	109506	315	109446	500	109736
	6	G 1/4	-	71	12	36	20	25	10.0	29.5	19	7	32	0.2	6	500	109507	315	109447	500	109737
NPT-female thread ANSI/ASME B1.20.1-1983	10	G 3/8	-	73	14	45	30	35	14.5	39.5	24	8	33	0.4	10	500	109508	315	109448	500	109738
	12	G 1/2	-	82	15	51	35	40	17.0	44.5	30	10	34	0.7	12	500	109509	315	109449	500	109739
	16	G 5/8	-	93	18	60	45	55	24.0	60.5	41	14	35	1.3	16	420	109510	250	109450	420	109740
	20	G 3/4	-	93	18	60	45	55	24.0	60.5	41	14	35	1.3	20	420	109511	250	109451	420	109741
	25	G 1	-	115	18	70	55	60	26.0	65.5	50	14	35	2.0	25	420	109512	250	109452	420	109742
NPT-female thread ANSI/ASME B1.20.1-1983	4	1/8 - 27 NPT	-	69	6.9	36	20	25	10.0	29.5	19	7	32	0.2	4	500	109513	315	109453	500	109744
	6	1/4 - 18 NPT	-	69	10.0	36	20	25	10.0	29.5	19	7	32	0.2	6	500	109514	315	109454	500	109745
	10	3/8 - 18 NPT	-	73	10.3	45	30	35	14.5	39.5	24	8	33	0.4	10	500	109515	315	109455	500	109746
	12	1/2 - 14 NPT	-	82	13.6	51	35	40	17.0	44.5	30	10	34	0.7	12	500	109516	315	109456	500	109747
	20	3/4 - 14 NPT	-	93	14.1	60	45	55	24.0	60.5	41	14	35	1.3	20	420	109517	250	109457	420	109748
25	1 - 11½ NPT	-	115	16.8	70	55	60	26.0	65.5	50	14	35	2.0	25	420	109518	250	109458	420	109749	

2-way ball valves with threaded connector

Stainless steel · DN 32 - DN 50



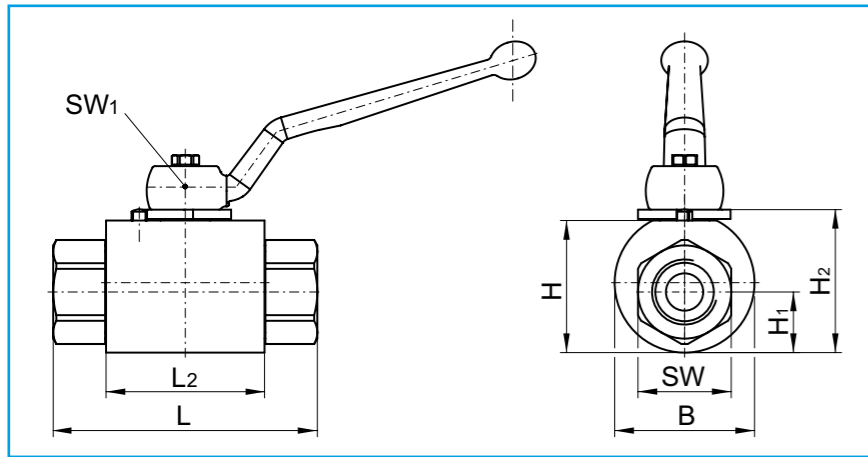
Handle included in delivery
 Please check pressure rating of the pipe fittings!
 For actuators and handles refer to "Attachments, accessories"
 Custom orders on request
 All dimensions subject to change without notice
 Dimensions in mm | Weight in kg | Pressure in bar

Body:	stainless steel	stainless steel	stainless steel	stainless steel
Ball:	stainless steel	stainless steel	stainless steel	stainless steel
Stem:	stainless steel	stainless steel	stainless steel	stainless steel
Ball seals:	POM	POM	PTFE	PEEK
Stem seals:	NBR	FKM	FKM	FKM
Stop plate:	stainless steel	stainless steel	stainless steel	stainless steel

Connection	DN Thread D	OD	L	L ₁	L ₂	L ₃	B	H	H ₁	H ₂	SW	SW ₁	Handle code	Weight	DN	PN		PN		PN		PN	
																Article no.	Article no.	Article no.	Article no.	Article no.	Article no.		
For cut (clamp) ring tube fitting DIN 2353 light series ISO 8434-1	32 M 45 x 2	35	121	16	36.5	58.5	73	80	36.5	84.5	60	17	37	2.6	32	420	109364	420	109373	100	109382	420	109758
	40 M 52 x 2	42	118	16	40.0	52.5	85	90	42.5	94.5	75	17	37	3.2	40	420	109365	420	109374	100	109383	420	109759
For cut (clamp) ring tube fitting DIN 2353 heavy series ISO 8434-1	32 M 52 x 2	38	127	22	36.5	58.5	73	80	36.5	84.5	60	17	37	2.7	32	420	109366	420	109375	100	109384	420	109735
BSP-female thread DIN EN ISO 228-1	32 G 1 1/4	110	24.0	36.5	58.5	73	80	36.5	84.5	60	17	37	3.1	32	420	109367	420	109376	100	109385	420	109754	
	40 G 1 1/2	114	26.0	40.0	57.0	85	90	42.5	94.5	75	17	37	4.0	40	420	109368	420	109377	100	109386	420	109755	
	50 G 2	129	27.5	48.0	65.0	99	104	49.5	108.5	85	17	38	5.0	50	420	109369	420	109378	100	109387	420	109756	
NPT-female thread ANSI/ASME B1.20.1-1983	32 1 1/4 - 11 1/2 NPT	110	17.3	36.5	58.5	73	80	36.5	84.5	60	17	37	3.5	32	420	109370	420	109379	100	109388	420	109750	
	40 1 1/2 - 11 1/2 NPT	114	17.3	40.0	57.0	85	90	42.5	94.5	75	17	37	4.0	40	420	109371	420	109380	100	109389	420	109751	
	50 2 - 11 1/2 NPT	129	17.7	48.0	65.0	99	104	49.5	108.5	85	17	38	5.3	50	420	109372	420	109381	100	109390	420	109752	
Female thread ISO 11926-1	32 1 5/8 - 12 UN - 2B	110	19.2	36.5	58.5	73	80	36.5	84.5	60	17	37	2.6	32	420	700120	420	700123	100	109761	420	109764	
	40 1 7/8 - 12 UN - 2B	114	19.2	40.0	57.0	85	90	42.5	94.5	75	17	37	4.4	40	420	700121	420	700124	100	109762	420	109765	
	50 2 1/2 - 12 UN - 2B	129	19.2	48.0	65.0	99	104	49.5	108.5	85	17	38	5.5	50	420	700122	420	700125	100	109763	420	109766	

2-way ball valves with threaded connector

Stainless steel · DN 4 - DN 25 · round body



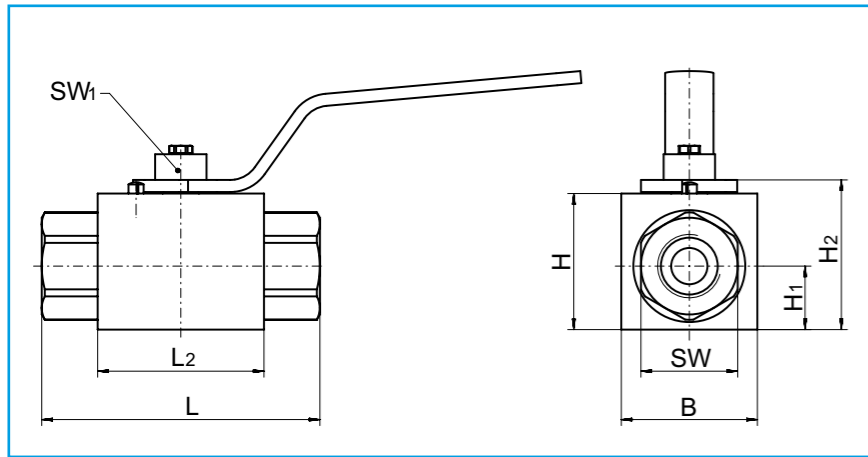
Handle included in delivery
 Please check pressure rating of the pipe fittings!
 For actuators and handles refer to "Attachments, accessories"
 Custom orders on request
 Also available with most other connections
 All dimensions subject to change without notice
 Dimensions in mm | Weight in kg | Pressure in bar

Body:	stainless steel	stainless steel
Ball:	stainless steel	stainless steel
Stem:	stainless steel	stainless steel
Ball seals:	POM	POM
Stem seals:	NBR	FKM
Stop plate:	steel, zinc nickel plated	steel, zinc nickel plated

Connection	DN	LW	Thread D	OD	L	L1	L2	B	H	H1	H2	SW	SW1	Handle code	Weight	DN	PN	Article no.	PN	Article no.
For cut (clamp) ring tube fitting DIN 2353 light series ISO 8434-1	4	4	M 12 x 1.5	6	67	10	36	30	25	10.0	27.5	19	7	12	0.2	4	500	109620	500	109650
	6	6	M 14 x 1.5	8	67	10	36	30	25	10.0	27.5	19	7	12	0.2	6	500	109621	500	109651
	8	8	M 16 x 1.5	10	75	11	45	40	35	14.5	38.5	24	8	13	0.4	8	500	109622	500	109652
	10	10	M 18 x 1.5	12	75	11	45	40	35	14.5	38.5	24	8	13	0.4	10	500	109623	500	109653
	12	12	M 22 x 1.5	15	84	12	51	45	40	17.0	43.5	30	10	14	0.6	12	500	109624	500	109654
	16	12	M 26 x 1.5	18	84	12	51	45	40	17.0	43.5	30	10	14	0.7	16	420	109625	420	109655
	20	19	M 30 x 2	22	102	14	60	60	55	24.0	59.0	41	14	15	1.2	20	420	109626	420	109656
For cut (clamp) ring tube fitting DIN 2353 heavy series ISO 8434-1	25	24	M 36 x 2	28	108	14	70	65	60	26.0	64.0	50	14	15	1.8	25	420	109627	420	109657
	4	4	M 16 x 1.5	8	73	12	36	30	25	10.0	27.5	19	7	12	0.2	4	500	109628	500	109658
	6	6	M 18 x 1.5	10	73	12	36	30	25	10.0	27.5	19	7	12	0.2	6	500	109629	500	109659
	8	8	M 20 x 1.5	12	77	12	45	40	35	14.5	38.5	24	8	13	0.4	8	500	109630	500	109660
	10	10	M 22 x 1.5	14	84	14	45	40	35	14.5	38.5	24	8	13	0.4	10	500	109631	500	109661
	12	12	M 24 x 1.5	16	87	14	51	45	40	17.0	43.5	30	10	14	0.7	12	500	109632	500	109662
	16	12	M 30 x 2	20	91	16	51	45	40	17.0	43.5	30	10	14	1.3	16	420	109633	420	109663
BSP-female thread DIN EN ISO 228-1	20	19	M 36 x 2	25	110	18	60	60	55	24.0	59.0	41	14	15	1.3	20	420	109634	420	109664
	25	24	M 42 x 2	30	120	20	70	65	60	26.0	64.0	50	14	15	1.9	25	420	109635	420	109665
	4	4	G 1/8	-	71	12	36	30	25	10.0	27.5	19	7	12	0.2	4	500	109636	500	109666
	6	6	G 1/4	-	71	12	36	30	25	10.0	27.5	19	7	12	0.2	6	500	109637	500	109667
	10	10	G 3/8	-	73	14	45	40	35	14.5	38.5	24	8	13	0.4	10	500	109638	500	109668
	12	12	G 1/2	-	85	15	51	45	40	17.0	43.5	30	10	14	0.7	12	500	109639	500	109669
	16	12	G 5/8	-	84	18	51	45	40	17.0	43.5	30	10	14	1.3	16	420	109640	420	109670
NPT-female thread ANSI/ASME B1.20.1-1983	20	19	G 3/4	-	96	18	60	60	55	24.0	59.0	41	14	15	1.3	20	420	109641	420	109671
	25	24	G 1	-	113	18	70	65	60	26.0	64.0	50	14	15	2.0	25	420	109642	420	109672
	4	4	1/8 - 27 NPT	-	69	6.9	36	30	25	10.0	27.5	19	7	12	0.2	4	500	109643	500	109673
	6	6	1/4 - 18 NPT	-	69	10.0	36	30	25	10.0	27.5	19	7	12	0.2	6	500	109644	500	109674
	10	10	3/8 - 18 NPT	-	73	10.3	45	40	35	14.5	38.5	24	8	13	0.4	10	500	109645	500	109675
	12	12	1/2 - 14 NPT	-	92	13.6	51	45	40	17.0	43.5	30	10	14	0.7	12	500	109646	500	109676
	20	19	3/4 - 14 NPT	-	97	14.1	60	60	55	24.0	59.0	41	14	15	1.3	20	420	109647	420	109677
25	24	1 - 11 1/2 NPT	-	113	16.8	70	65	60	26.0	64.0	50	14	15	2.0	25	420	109648	420	109678	

2-way ball valves with threaded connector

Stainless steel · DN 4 - DN 25 · 630 bar



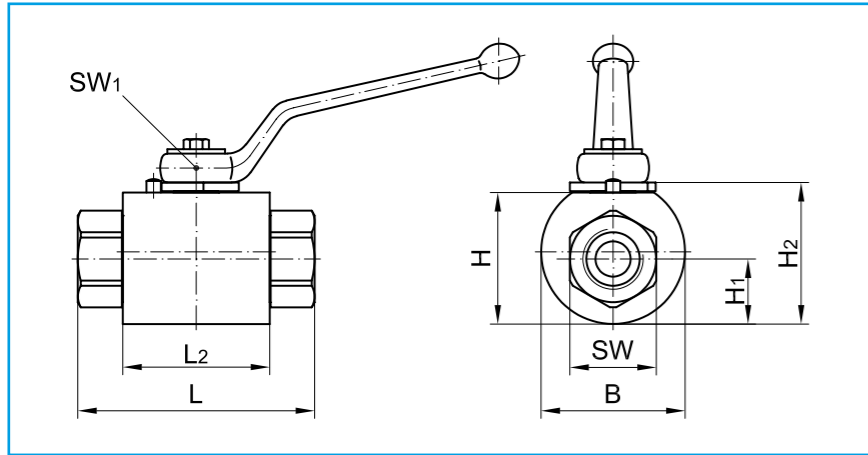
Handle included in delivery
 Please check pressure rating of the pipe fittings!
 For actuators and handles refer to "Attachments, accessories"
 Stainless steel (material no. 1.4571 - or other stainless steels)
 Custom orders on request
 All dimensions subject to change without notice
 Dimensions in mm | Weight in kg | Pressure in bar

Body:	stainless steel	stainless steel
Ball:	stainless steel	stainless steel
Stem:	stainless steel	stainless steel
Ball seals:	PEEK	PEEK
Stem seals:	FKM	NBR

Connection	DN	Thread D	OD	L	L ₁	L ₂	B	H	H ₁	H ₂	SW	SW ₁	Handle code	Weight	DN	PN	Article no.	PN	Article no.
For cut (clamp) ring tube fitting DIN 2353 light series ISO 8434-1	4	M 12 x 1.5	6	73	10	41	30	30	13.7	34.5	22	7	32	0.4	4	630	101309	630	100861
	6	M 14 x 1.5	8	73	10	41	30	30	13.7	34.5	22	7	32	0.4	6	630	101310	630	100862
	8	M 16 x 1.5	10	87	11	53	40	40	18.0	44.5	30	8	33	0.8	8	630	101311	630	100863
	10	M 18 x 1.5	12	87	11	53	40	40	18.0	44.5	30	8	33	0.8	10	630	101312	630	100864
	12	M 22 x 1.5	15	91	12	55	45	45	21.0	49.5	32	10	34	1.0	12	630	101313	630	100865
	16	M 26 x 1.5	18	101	12	65	65	65	31.0	70.5	46	14	35	2.5	16	630	109124	630	100866
For cut (clamp) ring tube fitting DIN 2353 heavy series ISO 8434-1	20	M 30 x 2	22	105	14	65	65	65	31.0	70.5	46	14	35	2.5	20	630	109102	630	100867
	25	M 36 x 2	28	112	14	71	75	75	38.0	80.5	50	14	35	3.1	25	630	109103	630	100868
	4	M 16 x 1.5	8	76	12	41	30	30	13.7	34.5	22	7	32	0.4	4	630	101317	630	100869
	6	M 18 x 1.5	10	76	12	41	30	30	13.7	34.5	22	7	32	0.4	6	630	101318	630	100870
	8	M 20 x 1.5	12	89	12	53	40	40	18.0	44.5	30	8	33	0.9	8	630	101319	630	100871
	10	M 22 x 1.5	14	93	14	53	40	40	18.0	44.5	30	8	33	0.9	10	630	101320	630	100872
BSP-female thread DIN EN ISO 228-1	12	M 24 x 1.5	16	96	14	55	45	45	21.0	49.5	32	10	34	1.1	12	630	101321	630	100873
	16	M 30 x 1.5	20	109	16	65	65	65	31.0	70.5	46	14	35	2.6	16	630	109168	630	100874
	20	M 36 x 2	25	113	18	65	65	65	31.0	70.5	46	14	35	2.6	20	630	109105	630	100875
	25	M 42 x 2	30	124	20	71	75	75	38.0	80.5	50	14	35	3.2	25	630	109106	630	100876
	4	G 1/8	-	71	11	41	30	30	13.7	34.5	22	7	32	0.4	4	630	101325	630	100877
	6	G 1/4	-	75	14	41	30	30	13.7	34.5	22	7	32	0.4	6	630	101326	630	100878
NPT-female thread ANSI/ASME B1.20.1-1983	10	G 3/8	-	86	14	53	40	40	18.0	44.5	30	8	33	0.9	10	630	101327	630	100879
	12	G 1/2	-	92	16	55	45	45	21.0	49.5	32	10	34	1.1	12	630	101328	630	100880
	16	G 5/8	-	111	19	65	65	65	31.0	70.5	46	14	35	2.6	16	630	109172	630	100881
	20	G 3/4	-	111	20	65	65	65	31.0	70.5	46	14	35	2.7	20	630	109108	630	100882
	25	G 1	-	122	22	71	75	75	38.0	80.5	50	14	35	3.3	25	630	109109	630	100883
	4	1/8 - 27 NPT	-	82	6.9	41	30	30	13.7	34.5	22	7	32	0.4	4	630	101332	630	100884
6	1/4 - 18 NPT	-	82	10.0	41	30	30	13.7	34.5	22	7	32	0.4	6	630	101333	630	100885	
10	3/8 - 18 NPT	-	95	10.3	53	40	40	18.0	44.5	30	8	33	1.0	10	630	101334	630	100886	
12	1/2 - 14 NPT	-	108	13.6	55	45	45	21.0	49.5	32	10	34	1.2	12	630	101335	630	100887	
20	3/4 - 14 NPT	-	111	14.1	65	65	65	31.0	70.5	46	14	35	2.7	20	630	109111	630	100888	
25	1 - 11 1/2 NPT	-	122	16.8	71	75	75	38.0	80.5	50	14	35	3.3	25	630	109112	630	100889	

2-way ball valves with threaded connector

Steel/Stainless steel · DN 4 - DN 25 · 840 bar



Note: Use only with fluid media!

Handle included in delivery
 Please check pressure rating of the pipe fittings!
 For actuators and handles refer to "Attachments, accessories"
 Custom orders on request
 Also available with most other connections
 All dimensions subject to change without notice
 Dimensions in mm | Weight in kg | Pressure in bar

Body:	steel, black oxide	stainless steel	stainless steel
Ball:	steel, hard chrome plated	stainless steel	stainless steel
Stem:	steel, zinc nickel plated	stainless steel	stainless steel
Ball seals:	PEEK	PEEK	PEEK
Stem seals:	NBR	NBR	FKM
Stop plate:	steel, zinc nickel plated	steel, zinc nickel plated	steel, zinc nickel plated

Connection	DN	Thread D	OD	L	L ₁	L ₂	B	H	H ₁	H ₂	SW	SW ₁	Handle code	Weight
For cut (clamp) ring tube fitting DIN 2353 heavy series ISO 8434-1	4	M 16 x 1.5	8	114	12	67	65	62.5	30	66	41	10	19	1.8
	6	M 18 x 1.5	10	114	12	67	65	62.5	30	66	41	10	19	1.9
	8	M 20 x 1.5	12	114	12	67	65	62.5	30	66	41	10	19	1.9
	10	M 22 x 1.5	14	118	14	67	65	62.5	30	66	41	10	19	2.0
	12	M 24 x 1.5	16	118	14	67	65	62.5	30	66	41	10	19	2.0
	20	M 36 x 2	25	156	18	90	108	102.0	51	106	70	14	20	6.6
25	M 42 x 2	30	160	20	90	108	102.0	51	106	70	14	20	6.6	

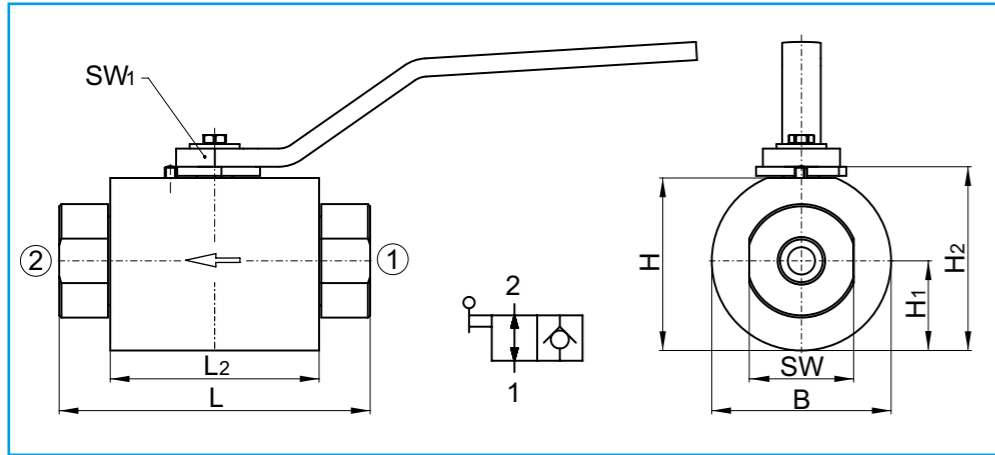
BSP-female thread DIN EN ISO 228-1	4	G 1/8	-	90	11	67	65	62.5	30	66	41	10	19	1.8
	6	G 1/4	-	90	14	67	65	62.5	30	66	41	10	19	1.8
	10	G 3/8	-	90	14	67	65	62.5	30	66	41	10	19	1.8
	12	G 1/2	-	90	17	67	65	62.5	30	66	41	10	19	1.9
	20	G 3/4	-	120	18	90	108	102.0	51	106	70	14	20	6.5
	25	G 1	-	120	21	90	108	102.0	51	106	70	14	20	6.5

NPT female thread ANSI/ASME B1.20.1-1983	4	1/8 - 27 NPT	-	90	6.9	67	65	62.5	30	66	41	10	19	1.8
	6	1/4 - 18 NPT	-	90	10.0	67	65	62.5	30	66	41	10	19	1.8
	10	3/8 - 18 NPT	-	90	10.3	67	65	62.5	30	66	41	10	19	1.8
	12	1/2 - 14 NPT	-	90	13.6	67	65	62.5	30	66	41	10	19	1.9
	20	3/4 - 14 NPT	-	120	14.1	90	108	102.0	51	106	70	14	20	6.5
	25	1 - 11 1/2 NPT	-	120	16.8	90	108	102.0	51	106	70	14	20	6.5

DN	PN	Article no.	PN	Article no.	PN	Article no.
4	840	101338	840	101380	840	101447
6	840	101339	840	101381	840	101448
8	840	101340	840	101382	840	101449
10	840	101341	840	101383	840	101450
12	840	101342	840	101384	840	101451
20	840	101343	840	101385	840	101452
25	840	101344	840	101386	840	101453
4	840	101345	840	101387	840	101454
6	840	101346	840	101388	840	101455
10	840	101347	840	101389	840	101456
12	840	101348	840	101390	840	101457
20	840	101349	840	101391	840	101458
25	840	101350	840	101392	840	101459
4	840	101351	840	101393	840	101460
6	840	101352	840	101394	840	101461
10	840	101353	840	101395	840	101462
12	840	101354	840	101396	840	101463
20	840	101355	840	101397	840	101464
25	840	101356	840	101398	840	101465

2-way ball valves with threaded connector

Stainless steel · DN 6 - DN 25 · ultra-high pressure



DN 6 - DN 12:
can be actuated up to 500 bar

DN 20 + DN 25:
can be actuated up to 400 bar

Unidirectional installation!
Note: Use only with fluid media!

*) Deviating from the standard:
longer connection thread

Handle included in delivery
Please check pressure rating of the pipe fittings!
For actuators and handles refer to "Attachments, accessories"
Custom orders on request
All dimensions subject to change without notice
Dimensions in mm | Weight in kg | Pressure in bar

Body:	stainless steel
Ball:	stainless steel
Stem:	bronze
Ball seals:	PEEK
Stem seals:	FKM

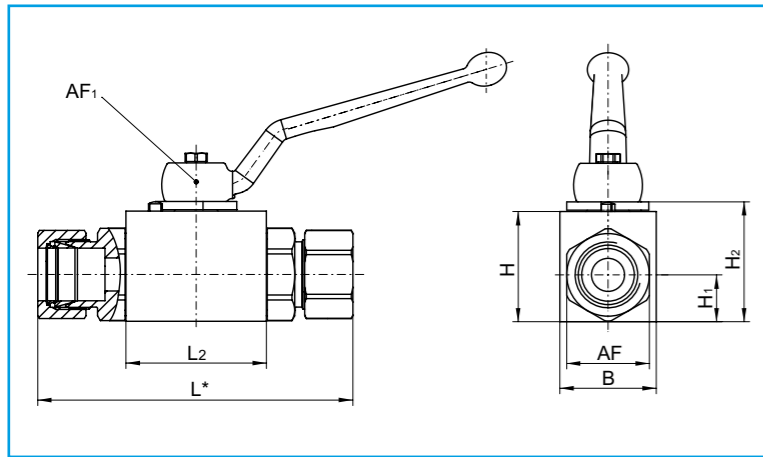
Connection	DN	Thread D	OD	L	L ₁	L ₂	B	H	H ₁	H ₂	SW	SW ₁	Handle code	Weight	DN	PN	Article no.
For cut (clamp) ring tube fitting DIN 2353 heavy series ISO 8434-1	6	M 18 x 1.5	10	144.0	18*	92	79	76	39.5	81	46	12	34	4.1	6	1500	100900
	8	M 20 x 1.5	12	144.0	18*	92	79	76	39.5	81	46	12	34	4.1	8	1500	100901
	10	M 22 x 1.5	14	150.0	21*	92	79	76	39.5	81	46	12	34	4.1	10	1500	100902
	12	M 24 x 1.5	16	150.0	21*	92	79	76	39.5	81	46	12	34	4.1	12	1500	100903
	20	M 36 x 1.5	25	178.5	23*	115	90	88	45.0	93	55	12	34	6.1	20	1400	100994
	25	M 42 x 1.5	30	202.0	25*	128	100	95	50.0	101	70	17	36	9.2	25	1000	100991
BSP-female thread DIN EN ISO 228-1	6	G 1/4	-	108.0	12	92	79	76	39.5	81	46	12	34	4.1	6	1500	100906
	10	G 3/8	-	120.0	14	92	79	76	39.5	81	46	12	34	4.2	10	1500	100907
	12	G 1/2	-	137.0	16	92	79	76	39.5	81	46	12	34	4.4	12	1500	100908
	20	G 3/4	-	132.5	19	115	90	88	45.0	93	55	12	34	5.8	20	1400	100995
	25	G 1	-	152.5	21	128	100	95	47.5	101	70	17	36	8.7	25	1000	100993

DN	PN	Article no.
6	1500	100900
8	1500	100901
10	1500	100902
12	1500	100903
20	1400	100994
25	1000	100991
6	1500	100906
10	1500	100907
12	1500	100908
20	1400	100995
25	1000	100993

2-way ball valves with threaded connector

Stainless steel · DN 4 - DN 25 · R:LOK

NEW!



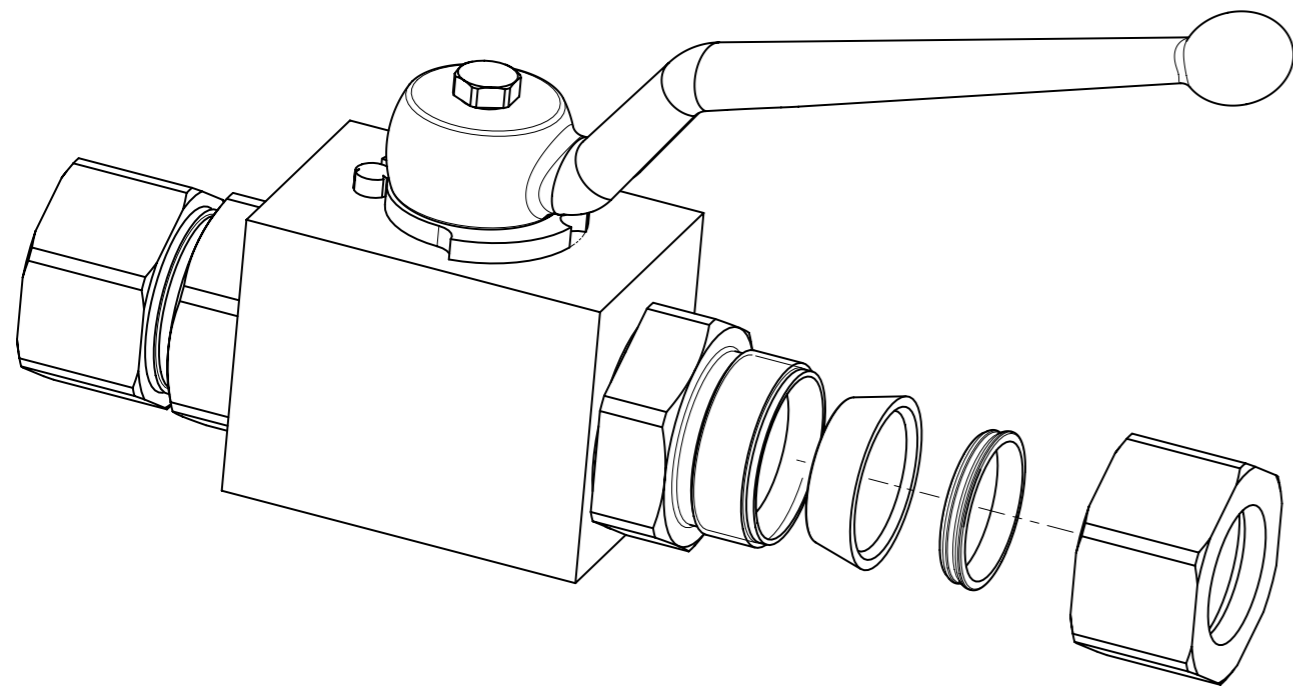
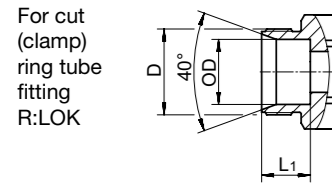
Handle included in delivery
 Please check pressure rating of the pipe fittings!
 For actuators and handles refer to "Attachments, accessories"
 Custom orders on request
 Also available with most other connections

All dimensions subject to change without notice
 Nuts and bite rings included in delivery
 Dimensions in inches | Weight in lbs | Pressure in psi
 * Hand tight | ** Dimensions in mm

Body:	stainless steel
Ball:	stainless steel
Stem:	stainless steel
Ball seals:	PEEK
Stem seals:	FKM
Stop plate:	steel, zinc nickel plated

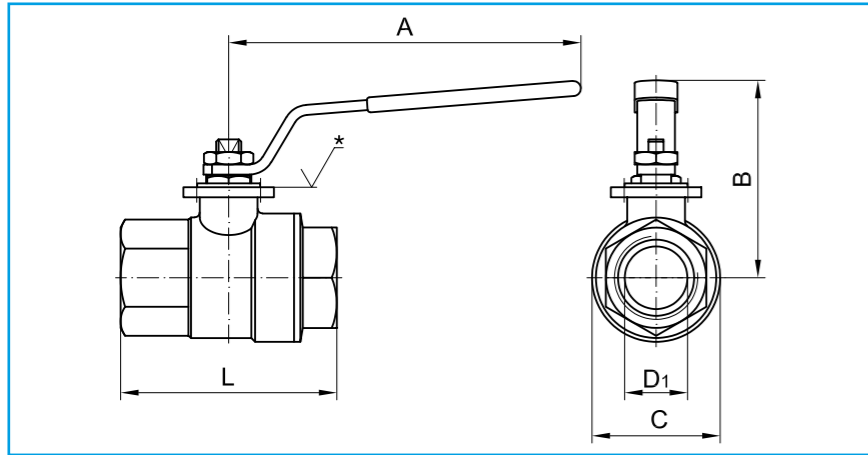
Connection	DN	Thread D	OD	L*	L1	L2	B	H	H1	H2	AF	AF1**	Handle code	Weight
For cut (clamp) ring tube fitting R:LOK	4	1/16	5/16	3.43	0.38	1.42	0.79	0.98	0.39	2.75	9/16	7	12	0.66
	6	1/8	3/8	3.39	0.38	1.42	0.79	0.98	0.39	2.75	3/4	7	12	0.66
	8	1/4	1/2	4.17	0.51	1.77	1.18	1.38	0.57	3.85	15/16	8	13	0.88
	10	3/8	5/8	4.26	0.56	2.01	1.38	1.58	0.67	4.35	1 1/8	10	14	1.70
	12	1/2	3/4	4.59	0.56	2.36	1.77	2.17	0.95	5.90	1 5/16	14	15	3.04
	25	1	1 1/4	6.98	0.61	2.76	2.17	2.36	1.02	6.40	1 7/8	14	15	4.56

DN	PSI	Article no.
4	3625	101280
6	3625	101281
8	3625	101282
10	3625	101283
12	3625	101284
20	3000	101285
25	3000	101286



2-way ball valves with threaded connector

Stainless steel · DN 10 - DN 50



Handle included in delivery
 All dimensions subject to change without notice
 Dimensions in mm | Weight in kg | Pressure in bar

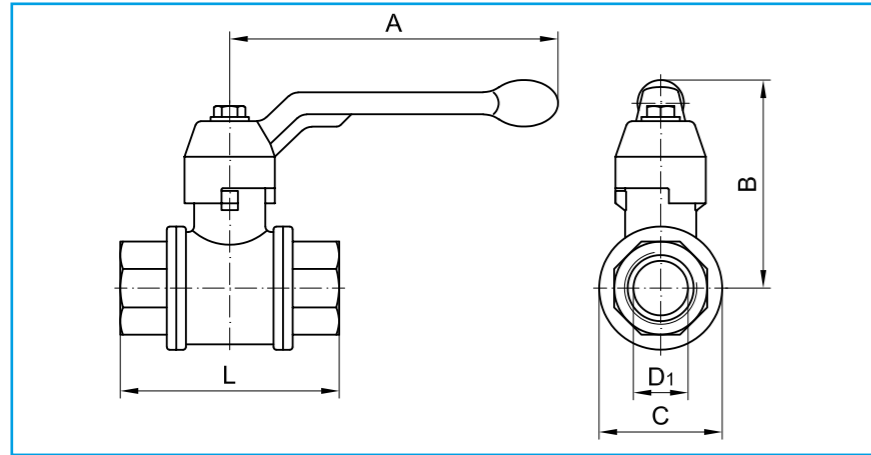
Body:	stainless steel
Ball:	stainless steel
Stem:	stainless steel
Ball seals:	PTFE
Stem seals:	FKM
Handle:	stainless steel

Connection	DN	Thread D	D1	L	L1	A	B	C	* Porting pattern DIN EN ISO 5211	Weight
BSP-female thread DIN EN 10226-1	10	Rp 3/8	10	55	11.4	110	52	29.0	F 03	0.2
	12	Rp 1/2	15	65	15.0	110	55	34.5	F 03	0.3
	20	Rp 3/4	20	70	16.3	140	66	42.5	F 03	0.5
	25	Rp 1	25	85	19.1	140	70	50.5	F 03	0.8
	32	Rp 1¼	32	95	21.4	180	85	63.0	F 04	1.3
	40	Rp 1½	40	105	21.4	180	91	75.5	F 04	1.8
	50	Rp 2	50	125	25.7	230	105	91.0	F 05	3.2

DN	PN	Article no.
10	100	101523
12	100	101524
20	100	101525
25	100	101526
32	64	101527
40	64	101528
50	40	101529

2-way ball valves with threaded connector

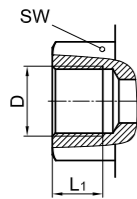
Brass · DN 4 - DN 80



Handle included in delivery
 Approved by DVGW for use up to PN 4
 All dimensions subject to change without notice
 Dimensions in mm | Weight in kg | Pressure in bar

Body:	brass
Ball:	brass
Stem:	brass
Ball seals:	PTFE
Stem seals:	PTFE

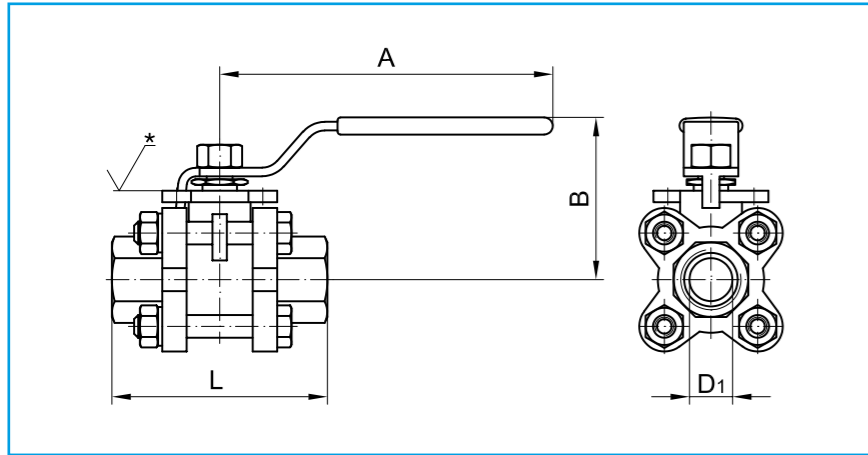
Connection	DN	Thread D	D1	L	L1	A	B	C	Weight
BSP-female thread DIN EN 10226-1	4	Rp 1/8	8	48	10	75	52	23	0.2
	6	Rp 1/4	8	51	13	75	52	23	0.2
	10	Rp 3/8	10	55	13	100	61	29	0.3
	12	Rp 1/2	15	69	16	100	64	36	0.4
	20	Rp 3/4	20	77	17	120	76	45	0.6
	25	Rp 1	25	89	19	120	80	54	0.9
	32	Rp 1¼	32	103	22	150	98	65	1.6
	40	Rp 1½	40	114	22	150	104	79	2.3
	50	Rp 2	50	134	27	175	119	96	3.6
	65	Rp 2½	65	160	32	280	155	119	5.5
80	Rp 3	80	185	35	280	167	144	8.4	



DN	PN	Article no.
4	100	101531
6	100	101532
10	100	101533
12	100	101534
20	100	101535
25	100	101536
32	100	101537
40	100	101538
50	80	101539
65	40	101540
80	40	101541

2-way ball valves with threaded connector

Stainless steel · with removable centre · DN 6 - DN 50



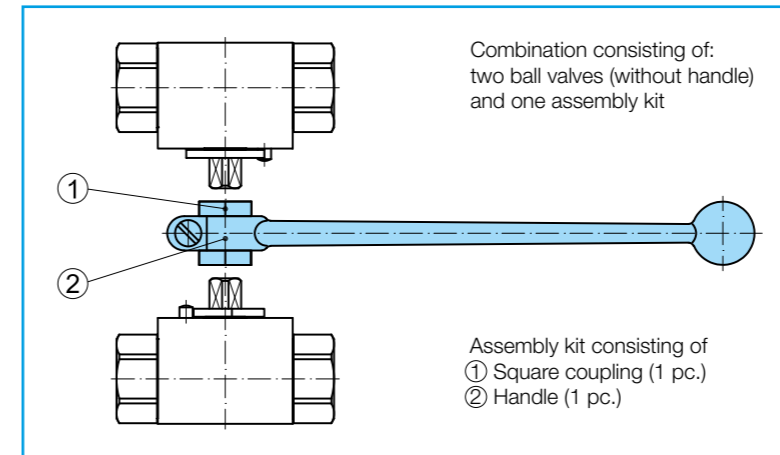
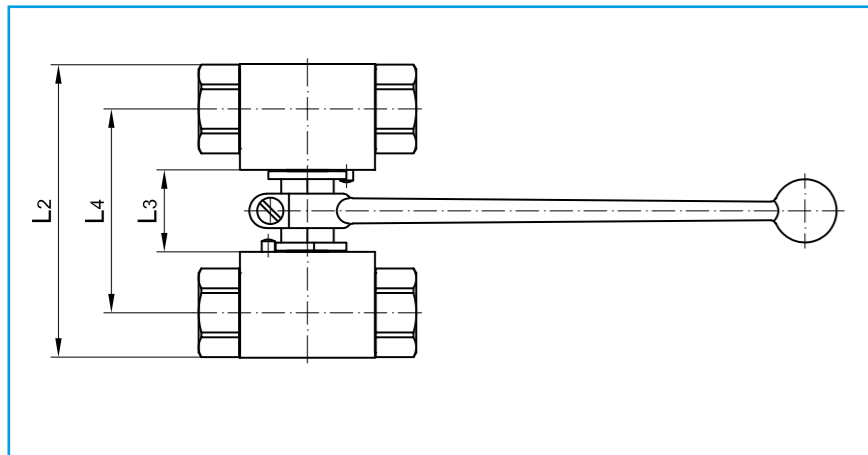
Handle included in delivery
 Overall length DIN 3202-4-M3
 All dimensions subject to change without notice
 Dimensions in mm | Weight in kg | Pressure in bar

Body:	stainless steel
Ball:	stainless steel
Stem:	stainless steel
Ball seals:	PTFE
Stem seals:	PTFE

Connection	DN	Thread D	D ₁	L	L ₁	A	B	* Porting pattern DIN EN ISO 5211	Weight	DN	PN	Article no.
BSP-female thread DIN EN ISO 228-1	6	G 1/4	11.6	50	12.0	105	51	F04	0.5	6	63	100853
	10	G 3/8	12.7	60	12.0	105	51	F04	0.5	10	63	100854
	12	G 1/2	15.0	75	15.0	105	61	F04	0.7	12	63	100855
	20	G 3/4	20.0	80	19.0	125	66	F04	0.8	20	63	100856
	25	G 1	25.0	90	22.0	152	78	F04	1.2	25	63	100857
	32	G 1 1/4	32.0	110	21.4	152	82	F04	1.8	32	63	100858
	40	G 1 1/2	38.0	120	21.4	191	95	F05	2.4	40	63	100859
	50	G 2	49.0	140	26.0	191	104	F05	3.6	50	40	100860
BSP-female thread DIN EN 10266-1	6	Rp 1/4	11.6	50	12.0	105	51	F04	0.5	6	63	100890
	10	Rp 3/8	12.7	60	12.0	105	51	F04	0.5	10	63	100891
	12	Rp 1/2	15.0	75	15.0	105	61	F04	0.7	12	63	100892
	20	Rp 3/4	20.0	80	19.0	125	66	F04	0.8	20	63	100893
	25	Rp 1	25.0	90	22.0	152	78	F04	1.2	25	63	100894
	32	Rp 1 1/4	32.0	110	21.4	152	82	F04	1.8	32	63	100895
	40	Rp 1 1/2	38.0	120	21.4	191	95	F05	2.4	40	63	100896
	50	Rp 2	49.0	140	26.0	191	104	F05	3.6	50	40	100897
NPT-female thread ANSI/ASME B1.20.1-1983	6	1/4 - 18 NPT	11.6	50	10.0	105	51	F04	0.5	6	63	100913
	10	3/8 - 18 NPT	12.7	60	10.3	105	51	F04	0.5	10	63	100914
	12	1/2 - 14 NPT	15.0	75	13.6	105	61	F04	0.7	12	63	100915
	20	3/4 - 14 NPT	20.0	80	14.1	125	66	F04	0.8	20	63	100916
	25	1 - 11 1/2 NPT	25.0	90	16.8	152	78	F04	1.2	25	63	100917
	32	1 1/4 - 11 1/2 NPT	32.0	110	17.3	152	82	F04	1.8	32	63	100918
	40	1 1/2 - 11 1/2 NPT	38.0	120	17.3	191	95	F05	2.4	40	63	100919
	50	2 - 11 1/2 NPT	49.0	140	17.7	191	104	F05	3.6	50	40	100920

2-way ball valves with threaded connector

Steel or stainless steel · as combination · DN 4 - DN 50 · assembly kits



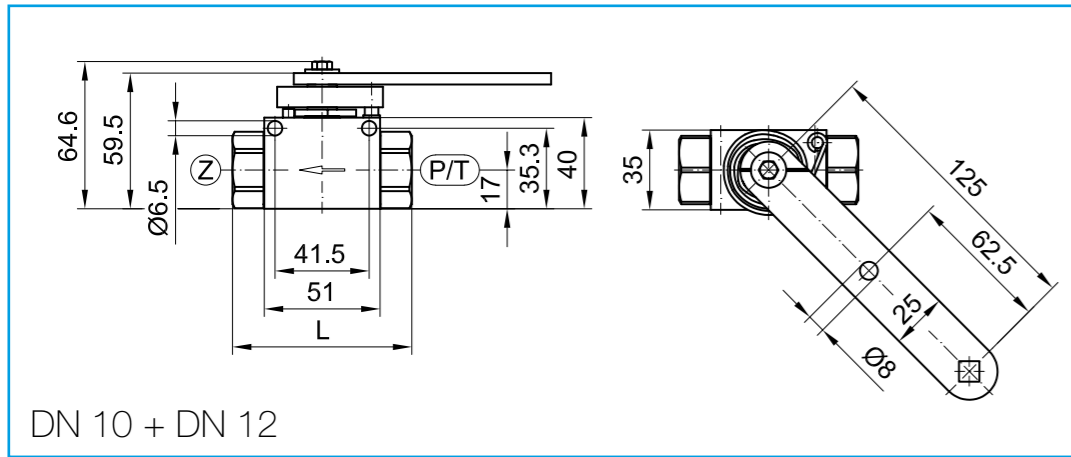
Assembly kits are identical in design for multi-way ball valves with floating ball.
For dimensions and article numbers for ball valve bodies refer to the respective chapter.
Custom orders on request
All dimensions subject to change without notice
Dimensions in mm
Also available completely assembled

Connection	DN	Steel			Stainless steel (standard) (up to 500 bar)			Stainless steel (630 bar)			Assembly kits	Steel/Stainless steel	
		L2	L3	L4	L2	L3	L4	L2	L3	L4		DN	Article no.
ALL	4	67	17	47	67	17	47	77	17	49.6	4	100849	
	6	67	17	47	67	17	47	77	17	49.6	6	100849	
	8	94	24	65	94	24	65	104	24	68.0	8	100850	
	10	94	24	65	94	24	65	104	24	68.0	10	100850	
	12	111	31	77	111	31	77	121	31	79.0	12	100851	
	16	121	31	81	150	40	102	170	40	108.0	16	100851*	
	20	150	40	102	150	40	102	170	40	108.0	20	100852	
	25	160	40	108	160	40	108	190	40	114.0	25	100852	
	32	203	43	130	203	43	130	-	-	-	32	100803	
	40	223	43	138	223	43	138	-	-	-	40	100803	
	50	251	43	152	251	43	152	-	-	-	50	100803	

* DN 16 stainless steel 100804

2-way ball valves with threaded connector

Steel · with spring-return and integrated check valve



Unidirectional installation!

Please check pressure rating of the pipe fittings!
 Custom orders on request
 All dimensions subject to change without notice
 Handle included in delivery

Also available without check valve

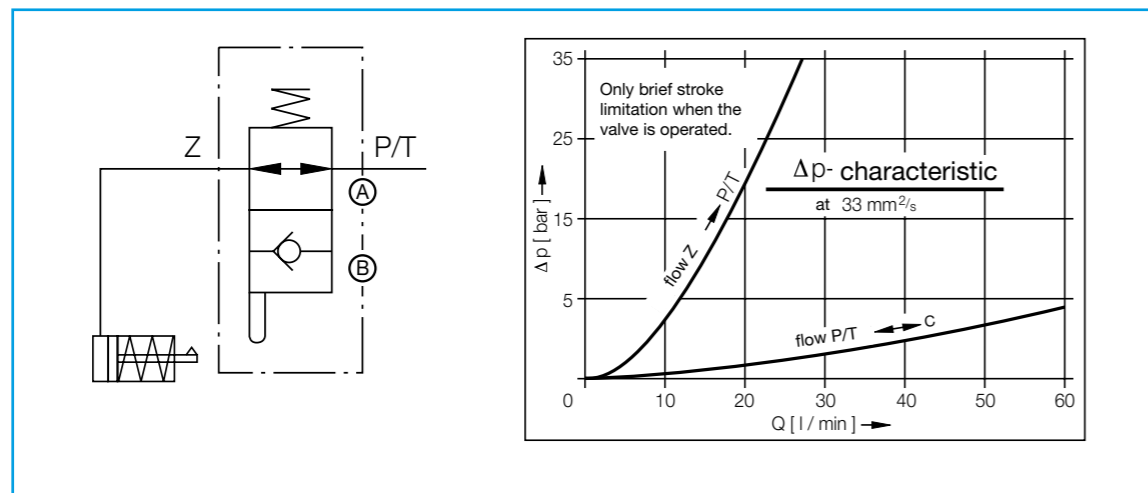
Dimensions in mm | Weight in kg | Pressure in bar

DN 10 + DN 12

Connection	DN Thread D	OD	L	L ₁	SW	Weight
For cut (clamp) ring tube fitting DIN 2353 light series ISO 8434-1	10 M 18 x 1.5	12	81	11	30	0.8
	12 M 22 x 1.5	15	83	12	30	0.8
For cut (clamp) ring tube fitting DIN 2353 heavy series ISO 8434-1	10 M 22 x 1.5	14	87	14	30	0.9
	12 M 24 x 1.5	16	87	14	30	0.9
BSP-female thread DIN EN ISO 228-1	10 G 3/8		79	14	30	0.8
	12 G 1/2		82	15	30	0.8

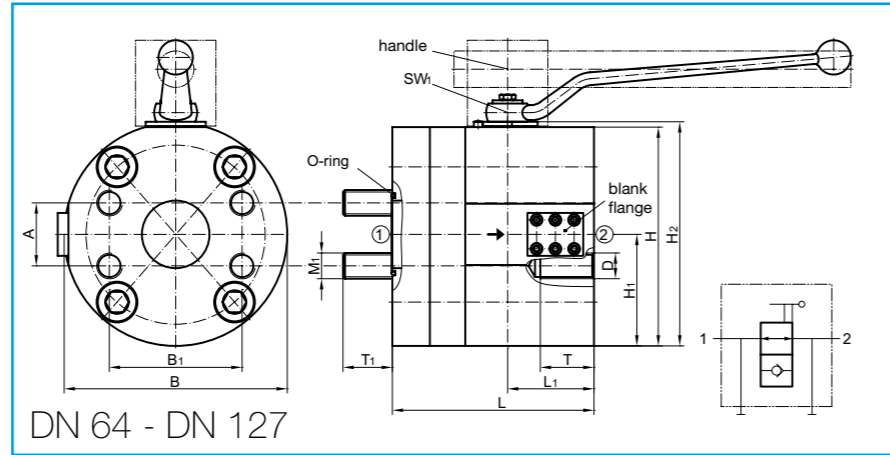
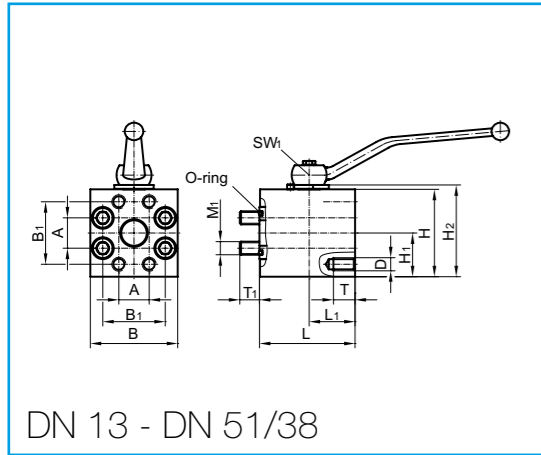
Body:	steel, black oxide	steel, zinc nickel plated
Ball:	steel, hard chrome plated	steel, hard chrome plated
Stem:	steel, zinc nickel plated	steel, zinc nickel plated
Ball seals:	POM	POM
Stem seals:	NBR	NBR

DN	PN	Article no.	PN	Article no.
10	500	300004	500	300010
12	500	300005	500	300011
10	500	300008	500	300012
12	500	300009	500	300013
10	500	300006	500	300014
12	500	300007	500	300015



2-way ball valves with flange connection

Steel · ISO 6162-1 (SAE) · DN 13 - DN 127 · direct flangeable

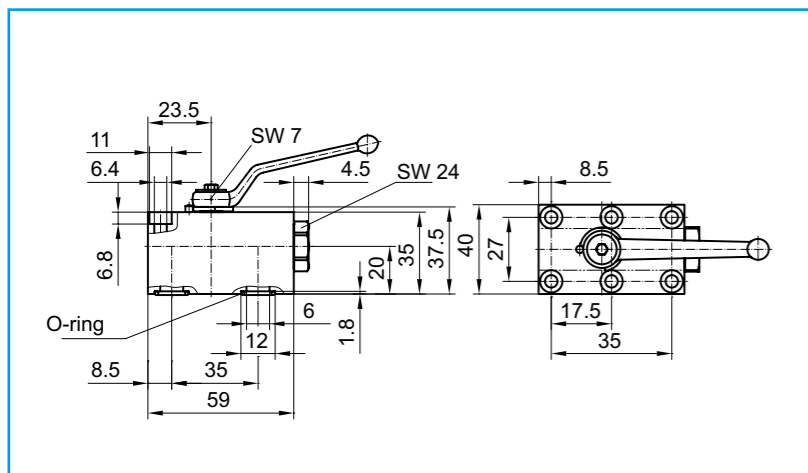


Handle and o-ring included in delivery
 For handle refer to "Attachments, accessories"
 Actuators and custom orders on request
 All dimensions subject to change without notice
 Dimensions in mm | Weight in kg | Pressure in bar

Body:	steel, zinc nickel plated	steel, zinc nickel plated
Ball:	steel, hard chrome plated	steel, hard chrome plated
Stem:	steel, zinc nickel plated	steel, zinc nickel plated
Ball seals:	POM	POM
Stem seals:	NBR	FKM
Stop plate (DN 13 - DN 64):	steel, zinc nickel plated	steel, zinc nickel plated

Connection	DN	Flange size (inch)	D	T	A	B1	L	L1	B	H	H1	H2	SW1	M1*	T1	Handle code	Weight	DN	O-ring	PN	Article no.	PN	Article no.
ISO 6162-1	13	1/2	M 8	14.0	17.5	38.1	55.5	27.0	60	55	28.5	58.5	10	M 8	14.0	14	1.3	13	18.64 x 3.53	350	104365	350	104377
	19	3/4	M 10	18.0	22.2	47.6	62.5	31.0	70	70	35.0	74.0	14	M 10	18.0	15	2.0	19	24.99 x 3.53	350	104366	350	104378
	25	1	M 10	18.0	26.2	52.4	75.5	38.5	80	80	40.0	84.0	14	M 10	18.0	15	3.0	25	32.92 x 3.53	320	104367	320	104379
	32	1 1/4	M 10	18.0	30.2	58.7	82.0	43.5	100	100	50.0	104.5	17	M 10	18.0	21	5.8	32	37.69 x 3.53	280	104368	280	104380
	38/32	1 1/2	M 12	22.0	35.7	69.9	99.0	53.5	120	120	60.0	124.5	17	M 12	22.0	21	9.5	38/32	47.22 x 3.53	210	104369	210	104381
	51/38	2	M 12	22.0	42.8	77.8	109.5	61.0	134	123	61.5	128.5	17	M 12	22.0	22	11.1	51/38	56.74 x 3.53	210	104370	210	104382
	64	2 1/2	M 12	22.0	88.9	50.8	150.0	75.5	180	175	85.0	180.0	17	M 12	22.0	22	26.0	64	69.44 x 3.53	175	104389	175	104213
	76	3	M 16	29.0	106.4	61.9	155.0	70.5	208	231	98.0	207.5	19	M 16	29.0	58	40.0	76	85.32 x 3.53	160	104390	160	104214
	102	4	M 16	29.0	130.2	77.8	170.0	85.0	258	251	122.0	258.0	27	M 16	29.0	57	67.0	102	110.72 x 3.53	35	104391	35	104215
	127	5	M 16	29.0	152.4	92.1	210.0	105.0	295	287.5	140.0	294.5	27	M 16	29.0	57	100.0	127	136.12 x 3.53	35	104392	35	104216
ISO 6162-1	13	1/2	5/16 - 18 UNC	21.0	17.5	38.1	55.5	27.0	60	55	28.5	58.5	10	5/16 - 18 UNC	21.0	14	1.3	13	18.64 x 3.53	350	104371	350	104383
	19	3/4	3/8 - 16 UNC	22.0	22.2	47.6	62.5	31.0	70	70	35.0	74.0	14	3/8 - 16 UNC	22.0	15	2.0	19	24.99 x 3.53	350	104372	350	104384
	25	1	3/8 - 16 UNC	22.0	26.2	52.4	75.5	38.5	80	80	40.0	84.0	14	3/8 - 16 UNC	22.0	15	3.0	25	32.92 x 3.53	320	104373	320	104385
	32	1 1/4	7/16 - 14 UNC	28.0	30.2	58.7	82.0	43.5	100	100	50.0	104.5	17	7/16 - 14 UNC	28.0	21	5.8	32	37.69 x 3.53	280	104374	280	104386
	38/32	1 1/2	1/2 - 13 UNC	27.0	35.7	69.9	99.0	53.5	120	120	60.0	124.5	17	1/2 - 13 UNC	27.0	21	9.5	38/32	47.22 x 3.53	210	104375	210	104387
	51/38	2	1/2 - 13 UNC	27.0	42.8	77.8	109.5	61.0	134	123	61.5	128.5	17	1/2 - 13 UNC	27.0	22	11.1	51/38	56.74 x 3.53	210	104376	210	104388
	64	2 1/2	1/2 - 13 UNC	27.0	88.9	50.8	150.0	75.5	180	175	85.0	180.0	17	1/2 - 13 UNC	27.0	22	26.0	64	69.44 x 3.53	175	104393	175	104396
	76	3	5/8 - 11 UNC	30.0	106.4	61.9	155.0	70.5	208	231	98.0	207.5	19	5/8 - 11 UNC	30.0	58	40.0	76	85.32 x 3.53	160	104393	160	104397
	102	4	5/8 - 11 UNC	30.0	130.2	77.8	170.0	85.0	258	251	122.0	258.0	27	5/8 - 11 UNC	30.0	57	67.0	102	110.72 x 3.53	35	104394	35	104398
	127	5	5/8 - 11 UNC	30.0	152.4	92.1	210.0	105.0	295	287.5	140.0	294.5	27	5/8 - 11 UNC	30.0	57	100.0	127	136.12 x 3.53	35	104395	35	104399

Bypass-ball valve for DN 64 - DN 127



DN	Handle code	Weight	O-ring
6	12	0.58	7.5 x 2.50

steel, zinc nickel plated

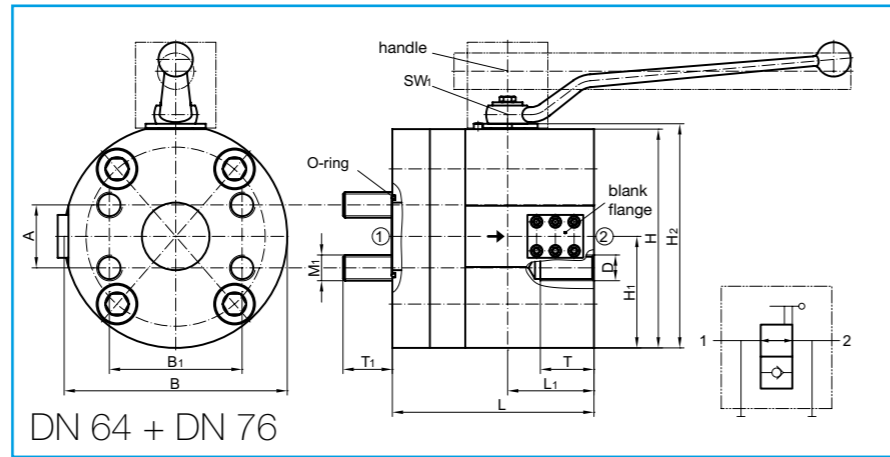
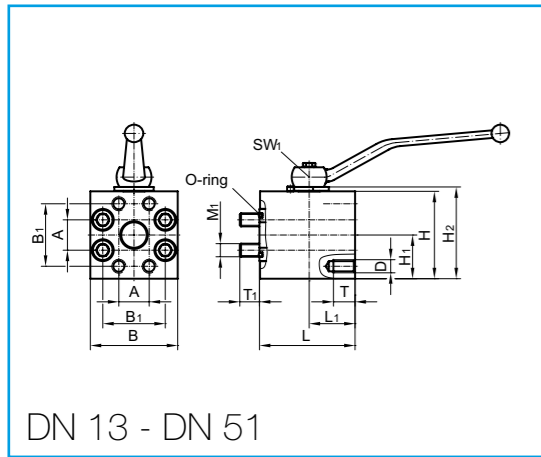
PN	Article no.
420	106040

Bolts included in delivery

Pressure application only completely assembled!
 Only original SAE flange with threads permitted at the o-ring connection!
 Split flanges or non-standard connection types are not permitted and risk of leakage or damage the valve connection.
 Please observe all applicable standards and the manufacturer's specifications.

2-way ball valves with flange connection

Steel · ISO 6162-2 (SAE) · DN 13 - DN 76 · direct flangeable



Handle and o-ring included in delivery
 For handle refer to "Attachments, accessories"
 Actuators and custom orders on request
 All dimensions subject to change without notice
 Dimensions in mm | Weight in kg | Pressure in bar

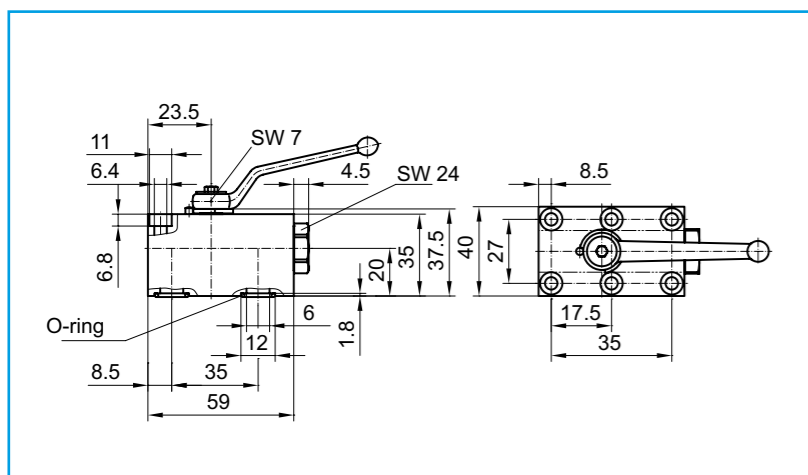
Bypass-ball valve instead of blank flange retrofittable, also deliverable completely assembled with bypass-ball valve
Full flow, no reduction!

*) Fixing bolts are not included as standard equipment. Please check property class of the fixing bolts.
 **) DN 64 and DN 76: steel, zinc nickel plated

Body:	steel, black oxide	steel, zinc nickel plated	steel, black oxide	stainless steel
Ball:	steel, hard chrome plated	steel, hard chrome plated	steel, hard chrome plated	stainless steel
Stem:	steel, zinc nickel plated	steel, zinc nickel plated	steel, zinc nickel plated	stainless steel
Ball seals:	POM	POM	POM	POM
Stem seals:	NBR	NBR	FKM	FKM
Stop plate (DN 13 - DN 64):	steel, zinc nickel plated	steel, zinc nickel plated	steel, zinc nickel plated	steel, zinc nickel plated

Connection	DN	Flange size (inch)	D	T	A	B ₁	L	L ₁	B	H	H ₁	H ₂	SW ₁	M ₁ *	T ₁	Handle code	Weight	DN	O-ring	PN	Article no.	PN	Article no.	PN	Article no.	PN	Article no.
ISO 6162-2	13	1/2	M 8	15.0	18.2	40.5	55.5	27.0	60	55	28.5	58.5	10	M 8 x 60	13.5	14	1.3	13	18.64 x 3.53	420	104093	420	700550	420	104120	420	104252
	19	3/4	M 10	16.5	23.8	50.8	62.5	31.0	70	70	35.0	74.0	14	M 10 x 65	14.0	15	2.0	19	24.99 x 3.53	420	104094	420	700551	420	104121	420	104253
	25	1	M 12	21.5	27.8	57.2	75.5	38.5	80	80	40.0	84.0	14	M 12 x 80	18.0	15	3.0	25	32.92 x 3.53	420	104095	420	700552	420	104422	420	104254
	32	1 1/4	M 12	23.5	31.8	66.6	82.0	43.5	100	100	50.0	104.5	17	M 12 x 85	18.0	21	5.8	32	37.69 x 3.53	420	104166	420	700553	420	104167	420	104255
	38	1 1/2	M 16	26.0	36.5	79.3	99.0	53.5	120	120	60.0	124.5	17	M 16 x 100	18.0	21	9.5	38	47.22 x 3.53	420	104097	420	700554	420	104124	420	104256
	51	2	M 20	34.0	44.5	96.8	109.5	61.0	134	123	61.5	128.5	17	M 20 x 110	22.0	22	11.1	51	56.74 x 3.53	420	104098	420	700555	420	104125	420	104262
	64	2 1/2	M 24	50.0	58.7	123.8	188.0	80.5	208	204	104.0	209.0	17	M 24 x 55	48.0	22	46.0	64	69.44 x 3.53	420	-	420	700556	420	104281**	420	104238
76	3	M 30	60.0	71.4	152.4	214.0	91.0	248	231	124.0	-	19	M 30 x 70	56.0	58	78.0	76	85.32 x 3.53	420	-	420	700557	420	104282**	420	104239	
ISO 6162-2	13	1/2	5/16 - 18 UNC	19.0	18.2	40.5	55.5	27.0	60	55	28.5	58.5	10	5/16 UNC x 2 1/2	17.5	14	1.3	13	18.64 x 3.53	420	104099	420	700810	420	104126	420	104257
	19	3/4	3/8 - 16 UNC	21.0	23.8	50.8	62.5	31.0	70	70	35.0	74.0	14	3/8 UNC x 2 3/4	19.0	15	2.0	19	24.99 x 3.53	420	104100	420	700811	420	104127	420	104258
	25	1	7/16 - 14 UNC	21.0	27.8	57.2	75.5	38.5	80	80	40.0	84.0	14	7/16 UNC x 3 1/4	20.0	15	3.0	25	32.92 x 3.53	420	104101	420	700812	420	104128	420	104259
	32	1 1/4	1/2 - 13 UNC	25.0	31.8	66.6	82.0	43.5	100	100	50.0	104.5	17	1/2 UNC x 3 1/2	21.0	21	5.8	32	37.69 x 3.53	420	104102	420	700813	420	104129	420	104260
	38	1 1/2	5/8 - 11 UNC	28.0	36.5	79.3	99.0	53.5	120	120	60.0	124.5	17	5/8 UNC x 4 1/4	26.0	21	9.5	38	47.22 x 3.53	420	104103	420	700814	420	104130	420	104261
	51	2	3/4 - 10 UNC	34.0	44.5	96.8	109.5	61.0	134	123	61.5	128.5	17	3/4 UNC x 4 1/2	26.0	22	11.1	51	56.74 x 3.53	420	104104	420	700815	420	104131	420	104263
	64	2 1/2	7/8 - 9 UNC	50.0	58.7	123.8	188.0	80.5	208	204	104.0	209.0	17	7/8 UNC x 2 1/4	46.0	22	46.0	64	69.44 x 3.53	420	-	420	700816	420	104283**	420	104238
76	3	1 1/8 - 7 UNC	60.0	71.4	152.4	214.0	91.0	248	231	124.0	-	19	1 1/8 UNC x 2 3/4	56.0	58	78.0	76	85.32 x 3.53	420	-	420	700817	420	104284**	420	104239	

Bypass-ball valve for DN 64 and DN 76



DN	Handle code	Weight	O-ring
6	12	0.6	7.5 x 2.50

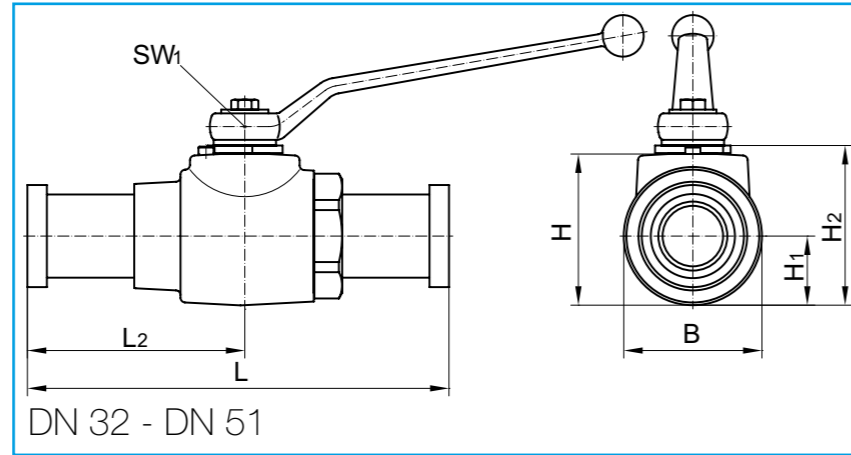
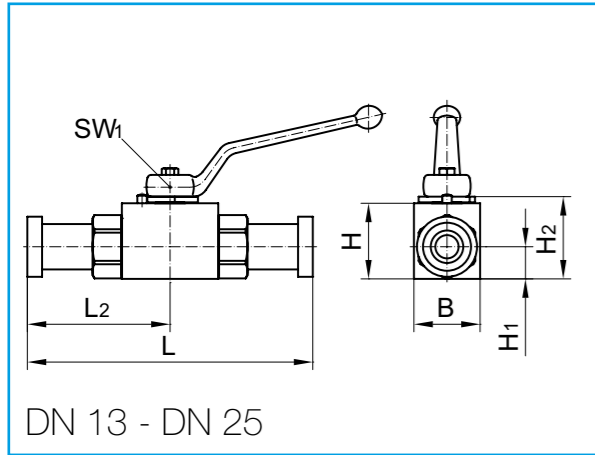
steel, zinc nickel plated		stainless steel	
PN	Article no.	PN	Article no.
420	106040	420	106043

Bolts included in delivery

Pressure application only completely assembled!
 Only original SAE flange with threads permitted at the o-ring connection!
 Split flanges or non-standard connection types are not permitted and risk of leakage or damage the valve connection.
 Please observe all applicable standards and the manufacturer's specifications.

2-way ball valves with flange connection

Steel · ISO 6162 (SAE) · DN 13 - DN 51 · for split flanges



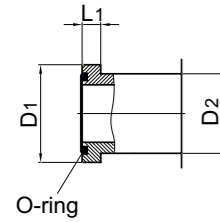
Handle and o-ring included in delivery
 For actuators and handles refer to "Attachments, accessories"
 Custom orders on request
 All dimensions subject to change without notice
 Dimensions in mm | Weight in kg | Pressure in bar

DN 32 - DN 51 also available with completely assembled full flanges

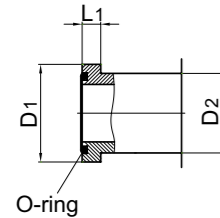
Body:	steel, black oxide	steel, zinc nickel plated	steel, black oxide	steel, zinc nickel plated
Ball:	steel, hard chrome plated	steel, hard chrome plated	steel, hard chrome plated	steel, hard chrome plated
Stem:	steel, zinc nickel plated	steel, zinc nickel plated	steel, zinc nickel plated	steel, zinc nickel plated
Ball seals:	POM	POM	POM	POM
Stem seals:	NBR	NBR	FKM	FKM
Stop plate:	steel, zinc nickel plated	steel, zinc nickel plated	steel, zinc nickel plated	steel, zinc nickel plated

Connection

ISO 6162-1



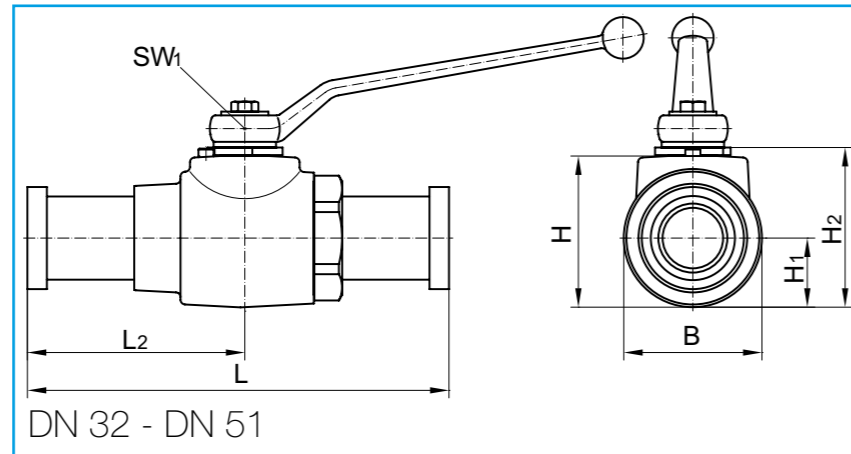
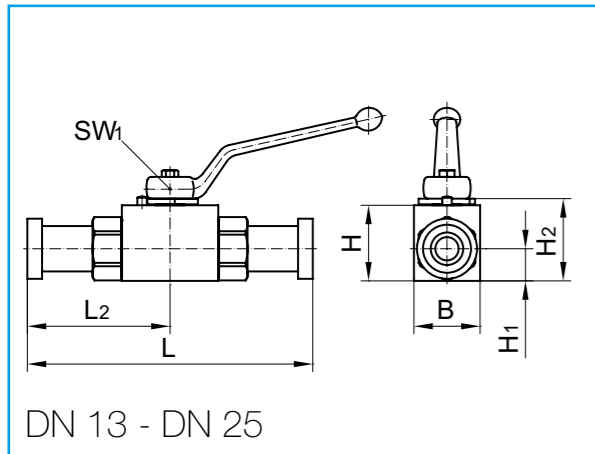
ISO 6162-2



Connection	DN	Flange size (inch)	D1	D2	L	L1	L2	B	H	H1	H2	SW1	Handle code	Weight	DN	O-ring	PN	Article no.	PN	Article no.	PN	Article no.	PN	Article no.
ISO 6162-1	13	1/2	30.20	24.0	151	6.8	75.5	35	40	17.0	43.5	10	14	0.9	13	18.64 x 3.53	350	104523	350	700126	350	104533	350	700138
	19	3/4	38.10	31.5	162	6.8	81.0	45	55	24.0	59.0	14	15	1.7	19	24.99 x 3.53	350	104524	350	700127	350	104534	350	700139
	25	1	44.45	38.0	178	8.0	89.0	55	60	26.0	64.0	14	15	2.5	25	32.92 x 3.53	320	104501	320	700128	320	104511	320	700140
	32	1 1/4	50.80	43.0	191	8.0	99.0	73	80	36.5	84.5	17	21	3.8	32	37.69 x 3.53	280	104502	280	700129	280	104512	280	700141
	38	1 1/2	60.35	50.0	231	8.0	115.5	85	90	42.5	94.5	17	21	4.5	38	47.22 x 3.53	210	104503	210	700130	210	104513	210	700142
	51	2	71.40	62.0	232	9.6	116.0	99	104	49.5	108.5	17	22	6.1	51	56.74 x 3.53	210	104504	210	700131	210	104514	210	700143
ISO 6162-2	13	1/2	31.8	24	151	7.8	75.5	35	40	17.0	43.5	10	14	1.0	13	18.64 x 3.53	420	104528	420	700132	420	104538	420	700144
	19	3/4	41.3	32	174	8.8	87.0	45	55	24.0	59.0	14	15	1.8	19	24.99 x 3.53	420	104529	420	700133	420	104539	420	700145
	25	1	47.6	38	198	9.5	99.0	55	60	26.0	64.0	14	15	2.6	25	32.92 x 3.53	420	104505	420	700134	420	104515	420	700146
	32	1 1/4	54.0	44	223	10.3	115.0	73	80	36.5	84.5	17	21	4.0	32	37.69 x 3.53	420	104506	420	700135	420	104516	420	700147
	38	1 1/2	63.5	51	281	12.6	140.5	85	90	42.5	94.5	17	21	5.6	38	47.22 x 3.53	420	104507	420	700136	420	104517	420	700148
	51	2	79.4	67	316	12.6	158.5	99	104	49.5	108.5	17	22	7.7	51	56.74 x 3.53	420	104508	420	700137	420	104518	420	700149

2-way ball valves with flange connection

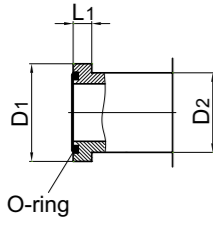
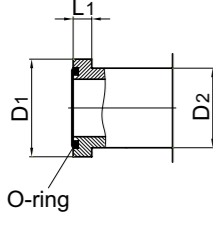
Stainless steel · ISO 6162 (SAE) · DN 13 - DN 51 · for split flanges



Handle and o-ring included in delivery
 For actuators and handles refer to "Attachments, accessories"
 Stainless steel (material no. 1.4571 - or other stainless steels)
 Custom orders on request

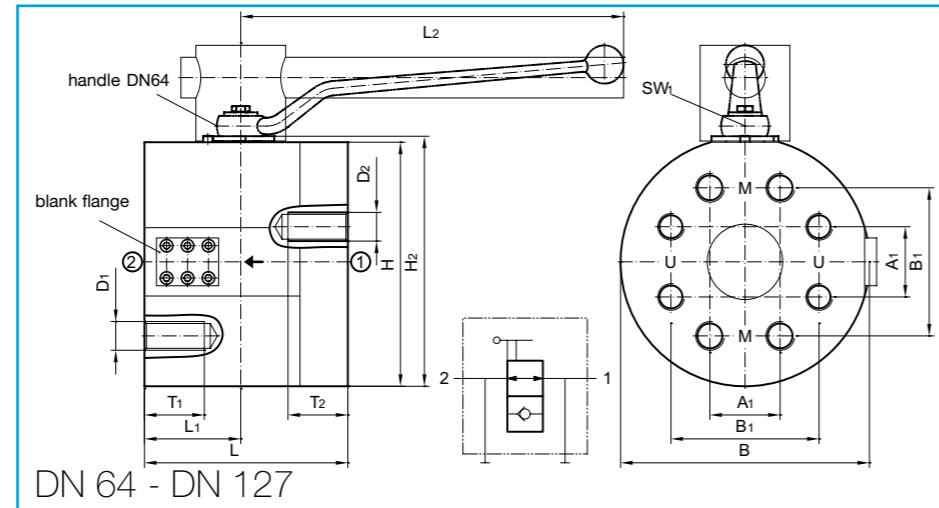
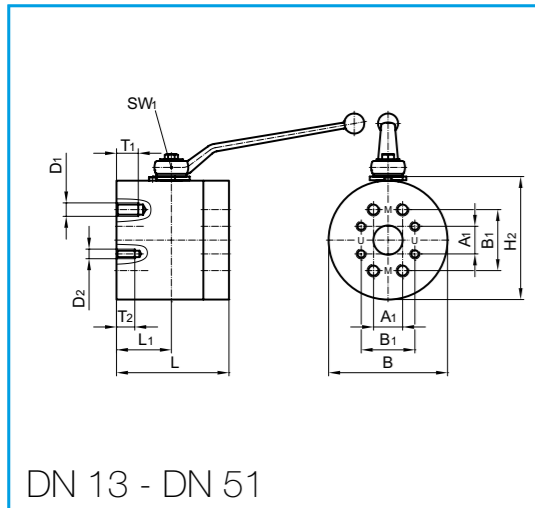
All dimensions subject to change without notice
 Dimensions in mm | Weight in kg | Pressure in bar
DN 32 - DN 51 also available with completely assembled flanges

Body:	stainless steel	stainless steel
Ball:	stainless steel	stainless steel
Stem:	stainless steel	stainless steel
Ball seals:	POM	POM
Stem seals:	NBR	FKM
Stop plate:	stainless steel	stainless steel

Connection	DN	Flange size (inch)	D1	D2	L	L1	L2	B	H	H1	H2	SW1	Handle code	Weight	DN	O-ring	PN	Article no.	PN	Article no.
ISO 6162-1 	13	1/2	30.20	24.0	151	6.8	75.5	35	40	17.0	43.5	10	14	0.9	13	18.64 x 3.53	350	104315	350	104327
	19	3/4	38.10	31.5	162	6.8	81.0	45	55	24.0	59.0	14	15	1.7	19	24.99 x 3.53	350	104316	350	104328
	25	1	44.45	38.0	178	8.0	89.0	55	60	26.0	64.0	14	15	2.5	25	32.92 x 3.53	320	104317	320	104329
	32	1 1/4	50.80	43.0	191	8.0	99.0	73	80	36.5	84.5	17	37	3.8	32	37.69 x 3.53	280	104318	280	104330
	38	1 1/2	60.35	50.0	231	8.0	115.5	85	90	42.5	94.5	17	37	4.5	38	47.22 x 3.53	210	104319	210	104331
	51	2	71.40	62.0	232	9.6	116.0	99	104	49.5	108.5	17	38	6.1	51	56.74 x 3.53	210	104320	210	104332
ISO 6162-2 	13	1/2	31.8	24	151	7.8	75.5	35	40	17.0	43.5	10	14	1.0	13	18.64 x 3.53	420	104321	420	104333
	19	3/4	41.3	32	174	8.8	87.0	45	55	24.0	59.0	14	15	1.8	19	24.99 x 3.53	420	104322	420	104334
	25	1	47.6	38	198	9.5	99.0	55	60	26.0	64.0	14	15	2.6	25	32.92 x 3.53	420	104323	420	104335
	32	1 1/4	54.0	44	223	10.3	115.0	73	80	36.5	84.5	17	37	4.0	32	37.69 x 3.53	420	104324	420	104336
	38	1 1/2	63.5	51	281	12.6	140.5	85	90	42.5	94.5	17	37	5.6	38	47.22 x 3.53	420	104325	420	104337
	51	2	79.4	67	316	12.6	158.5	99	104	49.5	108.5	17	38	7.7	51	56.74 x 3.53	420	104326	420	104338

2-way ball valves with flange connection

Steel · ISO 6162 (SAE) · DN 13 - DN 127



Handle and o-ring included in delivery
 For handles refer to "Attachments, accessories"
 Actuators and custom orders on request
 All dimensions subject to change without notice
 Dimensions in mm | Weight in kg | Pressure in bar

Metric and UNC-thread in the same body!

Bypass-ball valve instead of blank flange retrofittable, also deliverable completely assembled with bypass-ball valve

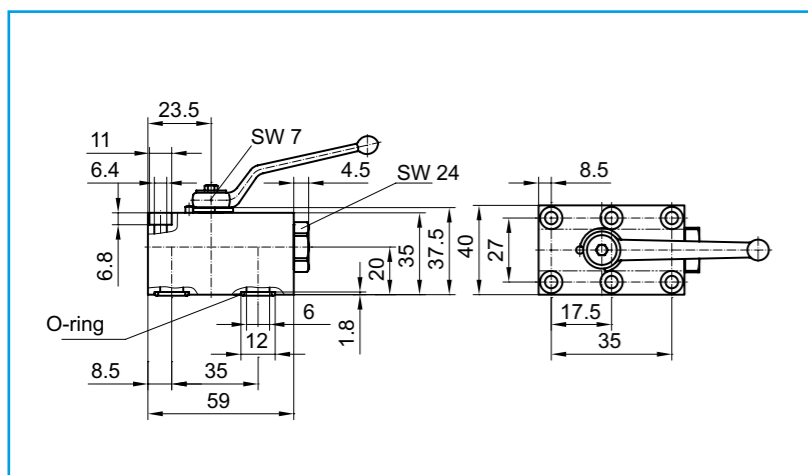
*) DN 64 - DN 127: steel, zinc nickel plated

Body:	steel, black oxide	steel, black oxide
Ball:	steel, hard chrome plated	steel, hard chrome plated
Stem:	steel, zinc nickel plated	steel, zinc nickel plated
Ball seals:	POM	POM
Stem seals:	NBR	FKM
Stop plate (DN 13 - DN 64):	steel, zinc nickel plated	steel, zinc nickel plated

Connection	DN	Flange size (inch)	D1	T1	D2	T2	A1	B1	L	L1	B	H	H2	SW1	Handle code	Weight	DN	PN	Article no.	PN	Article no.
ISO 6162-1	13	1/2	M 8	14	5/16 - 18 UNC	21	17.5	38.1	76.0	38.0	55	54.0	57.5	10	14	1.3	13	350	104200	350	104206
	19	3/4	M 10	18	3/8 - 16 UNC	22	22.3	47.6	78.0	36.5	70	66.0	70.0	14	15	2.1	19	350	104201	350	104207
	25	1	M 10	16	3/8 - 16 UNC	22	26.2	52.4	80.0	34.0	78	73.0	77.0	14	15	2.6	25	320	104202	320	104208
	32	1 1/4	M 10	22	7/16 - 14 UNC	28	30.2	58.7	123.0	60.0	130	130.0	134.5	17	21	11.8	32	280	104175	280	104185
	38	1 1/2	M 12	25	1/2 - 13 UNC	27	35.7	69.9	133.0	61.0	140	140.0	144.5	17	21	13.6	38	210	104176	210	104186
	51	2	M 12	25	1/2 - 13 UNC	27	42.9	77.8	162.0	79.0	160	158.0	162.5	17	22	20.9	51	210	104177	210	104187
	64	2 1/2	M 12	23	1/2 - 13 UNC	30	50.8	88.9	150.0	75.5	180	175.0	180.0	17	22	28.0	64	175	104178*	175	104213*
	76	3	M 16	30	5/8 - 11 UNC	30	61.9	106.4	155.0	70.5	208	202.0	-	19	58	43.0	76	160	104179*	160	104214*
102	4	M 16	30	5/8 - 11 UNC	30	77.8	130.2	170.0	85.0	258	251.0	-	27	57	73.0	102	35	104180*	35	104215*	
127	5	M 16	30	5/8 - 11 UNC	30	92.1	152.4	210.0	105.0	295	287.5	-	27	57	108.0	127	35	104181*	35	104216*	
ISO 6162-2	13	1/2	M 8	16	5/16 - 18 UNC	21	18.2	40.5	81.0	40.5	59	36.0	59.5	10	14	1.7	13	420	104203	420	104209
	19	3/4	M 10	18	3/8 - 16 UNC	24	23.8	50.8	83.0	41.5	74	72.0	76.0	14	15	2.6	19	420	104204	420	104210
	25	1	M 12	23	7/16 - 14 UNC	27	27.8	57.2	99.5	49.5	85	82.7	86.7	14	15	4.0	25	420	104205	420	104211
	32	1 1/4	M 12**	20	1/2 - 13 UNC	25	31.8	66.7	123.0	60.0	130	130.0	134.5	17	21	11.8	32	420	104182	420	104192
	38	1 1/2	M 16	27	5/8 - 11 UNC	35	36.5	79.4	133.0	61.0	140	140.0	144.5	17	21	13.6	38	420	104183	420	104193
	51	2	M 20	35	3/4 - 10 UNC	38	44.5	96.8	162.0	79.0	160	158.0	162.5	17	22	20.9	51	420	104184	420	104194
	64	2 1/2	M 24	50	7/8 - 9 UNC	50	58.7	123.8	170.0	80.5	208	204.0	209.0	17	22	42.0	64	-	-	420	104217*
76	3	M 30	60	1 1/8 - 7 UNC	60	71.4	152.4	196.0	91.0	248	231.0	-	19	58	74.0	76	-	-	420	104218*	

**) ISO changed from M14 to M12

Bypass-ball valve for DN 64 - DN 127



DN	Handle code	Weight	O-ring
6	12	0.6	7.5 x 2.50

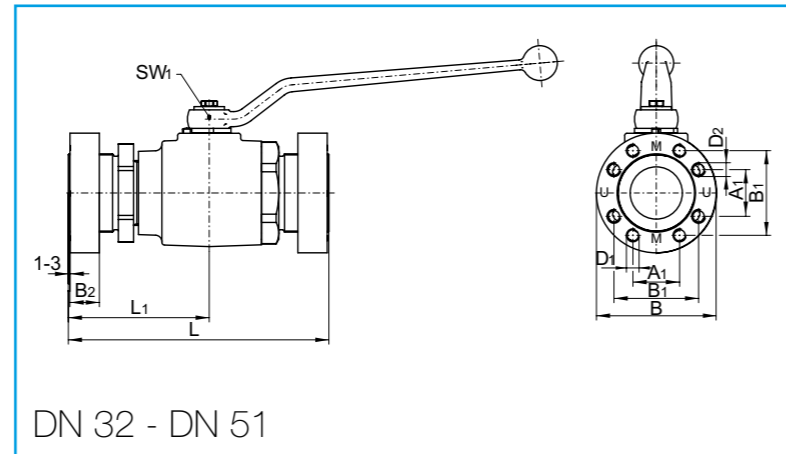
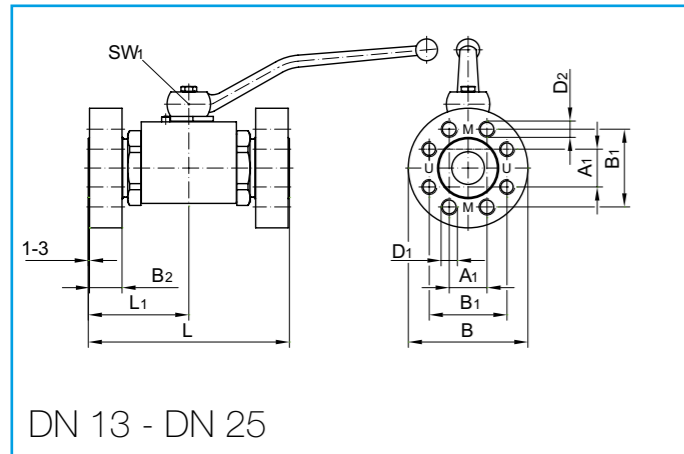
steel, zinc nickel plated

PN	Article no.
420	106040

Bolts included in delivery

2-way ball valves with flange connection

Steel · ISO 6162 (SAE) · DN 13 - DN 51



For dimensions of ball valves refer to the respective chapter "2-way ball valves".

Actuators: refer to "Attachments, accessories"

Custom orders on request

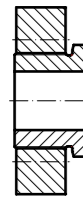
All dimensions subject to change without notice

Dimensions in mm | Weight in kg | Pressure in bar

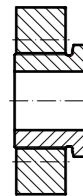
Body:	steel, zinc nickel plated	steel, zinc nickel plated
Ball:	steel, hard chrome plated	steel, hard chrome plated
Stem:	steel, zinc nickel plated	steel, zinc nickel plated
Ball seals:	POM	POM
Stem seals:	NBR	FKM
Stop plate:	steel, zinc nickel plated	steel, zinc nickel plated

Connection

ISO 6162-1



ISO 6162-2



DN	Flange size (inch)	D1	D2	A1	B1	B2	L	L1	B	SW1	Handle code	Weight
13	1/2	M 8	5/16 - 18 UNC	17.5	38.1	20	108.0	54	60	10	14	1.3
19	3/4	M 10	3/8 - 16 UNC	22.3	47.6	22	131.0	66	70	14	15	2.6
25	1	M 10	3/8 - 16 UNC	26.2	52.4	22	144.0	72	75	14	15	3.7
32	1 1/4	M 10	7/16 - 14 UNC	30.2	58.7	25	181.0	104	85	17	21	8.3
38	1 1/2	M 12	1/2 - 13 UNC	35.7	69.9	27	209.0	118	100	17	21	9.5
51	2	M 12	1/2 - 13 UNC	42.9	77.8	27	239.5	130	110	17	22	13.1
13	1/2	M 8	5/16 - 18 UNC	18.2	40.5	21	108.0	54	60	10	14	1.4
19	3/4	M 10	3/8 - 16 UNC	23.8	50.8	24	131.0	66	80	14	15	2.8
25	1	M 12	7/16 - 14 UNC	27.8	57.2	27	144.0	72	90	14	15	4.1
32	1 1/4	M 12	1/2 - 13 UNC	31.8	66.7	25	181.0	104	100	17	21	5.0
38	1 1/2	M 16	5/8 - 11 UNC	36.5	79.4	35	209.0	118	120	17	21	10.2
51	2	M 20	3/4 - 10 UNC	44.5	96.8	38	239.5	130	140	17	22	14.1

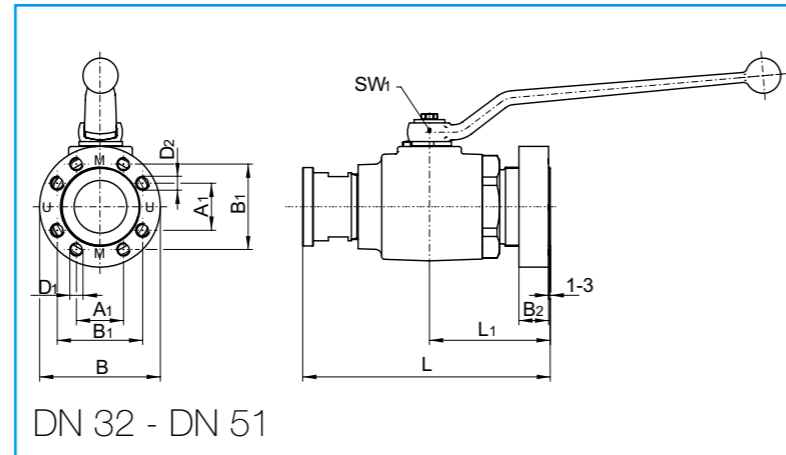
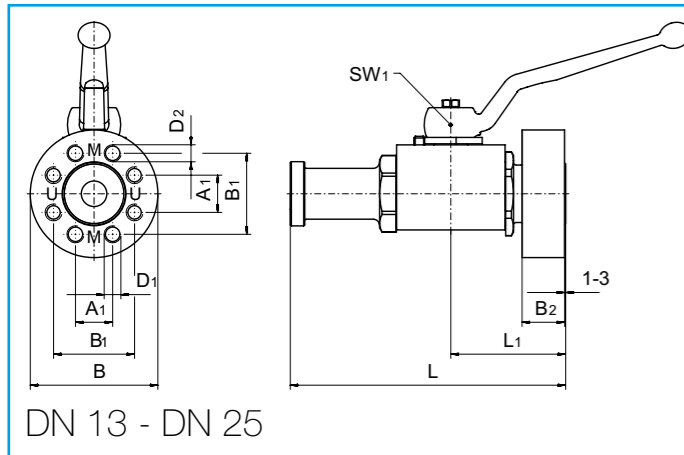
DN

DN	PN	Article no.
13	350	700196
19	350	700197
25	320	700198
32	280	700199
38	210	700200
51	210	700201
13	420	700202
19	420	700203
25	420	700204
32	420	700205
38	420	700206
51	420	700207

PN	Article no.
350	700208
350	700209
320	700210
280	700211
210	700212
210	700213
420	700214
420	700215
420	700216
420	700217
420	700218
420	700219

2-way ball valves with flange connection

Steel · ISO 6162 (SAE) · DN 13 - DN 51 · for split flanges + flange connection



For dimensions of ball valves refer to the respective chapter "2-way ball valves".

Actuators: refer to "Attachments, accessories"

Custom orders on request

All dimensions subject to change without notice

Dimensions in mm | Weight in kg | Pressure in bar

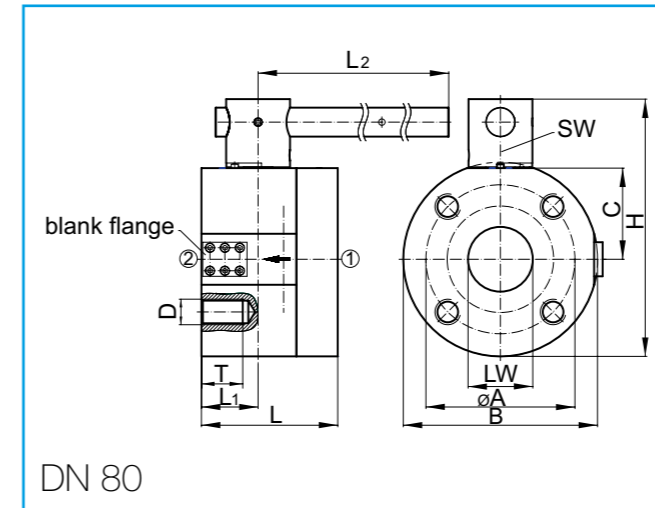
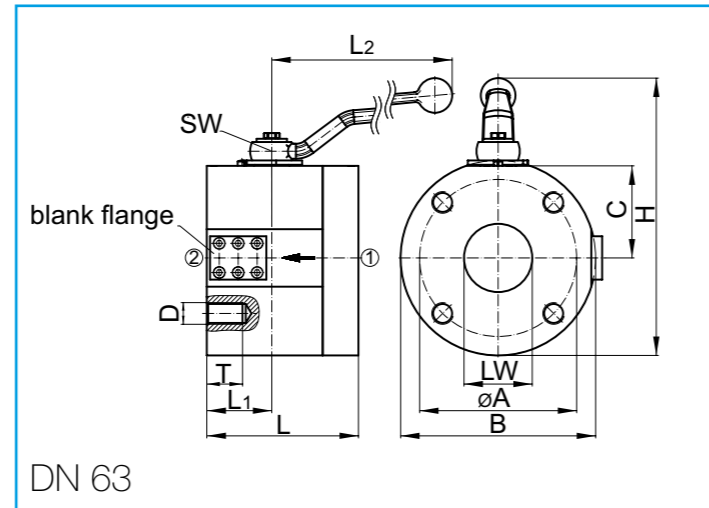
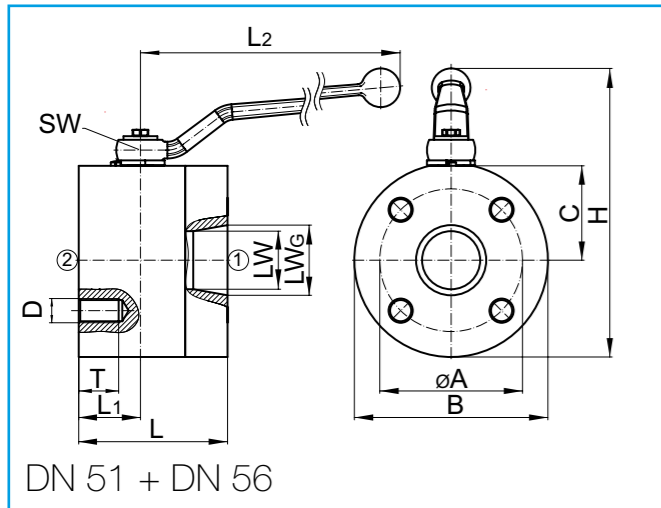
DN 32 - DN 51 also available with completely assembled full flanges

Body:	steel, zinc nickel plated	steel, zinc nickel plated
Ball:	steel, hard chrome plated	steel, hard chrome plated
Stem:	steel, zinc nickel plated	steel, zinc nickel plated
Ball seals:	POM	POM
Stem seals:	NBR	FKM
Stop plate:	steel, zinc nickel plated	steel, zinc nickel plated

Connection	DN	Flange size (inch)	D1	D2	A1	B1	B2	D3	D4	L	L1	L2	B	SW1	Handle code	Weight	DN	O-ring	PN	Article no.	PN	Article no.
ISO 6162-1	13	1/2	M 8	5/16 - 18 UNC	17.5	38.1	20	30.20	24.0	129.5	54	6.8	60	10	14	1.1	13	18.64 x 3.53	350	700244	350	700256
	19	3/4	M 10	3/8 - 16 UNC	22.3	47.6	22	38.10	31.5	146.5	66	6.8	70	14	15	2.2	19	24.99 x 3.53	350	700245	350	700257
	25	1	M 10	3/8 - 16 UNC	26.2	52.4	22	44.45	38.0	161.0	72	8.0	75	14	15	3.1	25	32.92 x 3.53	320	700246	320	700258
	32	1 1/4	M 10	7/16 - 14 UNC	30.2	58.7	25	50.80	43.0	176.5	78	8.0	85	17	21	6.1	32	37.69 x 3.53	280	700247	280	700259
	38	1 1/2	M 12	1/2 - 13 UNC	35.7	69.9	27	60.35	50.0	207.0	92	8.0	100	17	21	7.0	38	47.22 x 3.53	210	700248	210	700260
51	2	M 12	1/2 - 13 UNC	42.9	77.8	27	71.40	62.0	226.5	110	9.6	110	17	22	9.6	51	56.74 x 3.53	210	700249	210	700261	
ISO 6162-2	13	1/2	M 8	5/16 - 18 UNC	18.2	40.5	21	31.8	24.0	129.5	54	7.8	60	10	14	1.2	13	18.64 x 3.53	420	700250	420	700262
	19	3/4	M 10	3/8 - 16 UNC	23.8	50.8	24	41.3	32.0	152.5	66	8.8	80	14	15	2.3	19	24.99 x 3.53	420	700251	420	700263
	25	1	M 12	7/16 - 14 UNC	27.8	57.2	27	47.6	38.0	171.0	72	9.5	90	14	15	3.4	25	32.92 x 3.53	420	700252	420	700264
	32	1 1/4	M 12	1/2 - 13 UNC	31.8	66.7	25	54.0	44.0	192.5	78	10.3	100	17	21	4.1	32	37.69 x 3.53	420	700253	420	700265
	38	1 1/2	M 16	5/8 - 11 UNC	36.5	79.4	35	63.5	51.0	232.0	92	12.6	120	17	21	7.9	38	47.22 x 3.53	420	700254	420	700266
51	2	M 20	3/4 - 10 UNC	44.5	96.8	38	79.4	67.0	268.5	110	12.6	140	17	22	10.9	51	56.74 x 3.53	420	700255	420	700267	

2-way ball valves with flange connection

Steel · ISO 6164 · DN 51 - DN 80



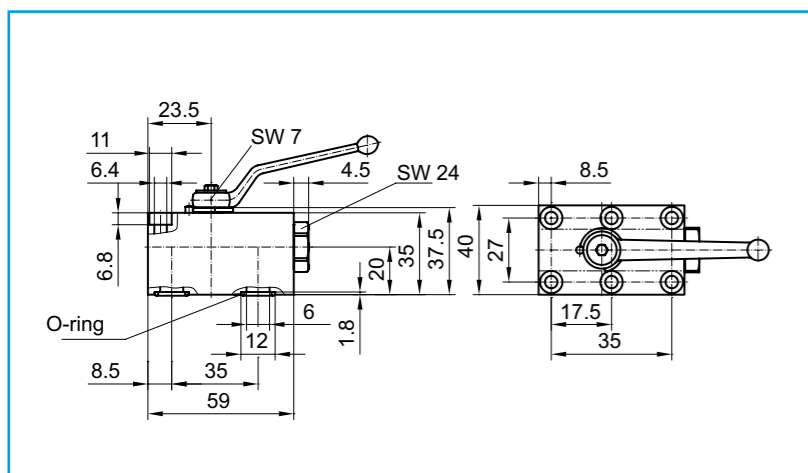
Handle included in delivery
 For handle refer to "Attachments, accessories"
 Actuators and custom orders on request
 All dimensions subject to change without notice
 Dimensions in mm | Weight in kg | Pressure in bar

Body:	steel, zinc nickel plated
Ball:	steel, hard chrome plated
Stem:	steel, zinc nickel plated
Ball seals:	POM
Stem seals:	NBR
Stop plate:	steel, zinc nickel plated

Connection	DN	LW	LWg	D	T	øA	C	L	L1	L2	B	H	SW	Handle code	Weight
ISO 6164-1	51	48	48	M 16	25.5	98	78.0	116	53.0	320	160	239	17	22	18.0
	56	48	58	M 20	33.0	118	78.0	123	51.0	320	160	239	17	22	17.5
	63	63	63	M 20	33.0	145	85.0	140	60.0	320	180	256	17	22	25.0
ISO 6164-2	51	48	48	M 16	25.5	98	78.0	116	53.0	320	160	239	17	22	18.0
	56	48	58	M 20	33.0	118	78.0	123	51.0	320	160	239	17	22	17.5
	63	63	63	M 24	37.5	145	100.0	150	70.0	320	208	285	17	22	37.0
	80	76	76	M 30	48.5	175	107.0	160	66.5	550	228	302	19	58	50.0

DN	PN	Article no.
51	250	700876
56	250	700877
63	250	700878
51	420	700879
56	420	700880
63	420	700881
80	315	700882

Bypass-ball valve for DN 63 and DN 80



DN	Handle code	Weight	O-ring
6	12	0.6	7.5 x 2.50

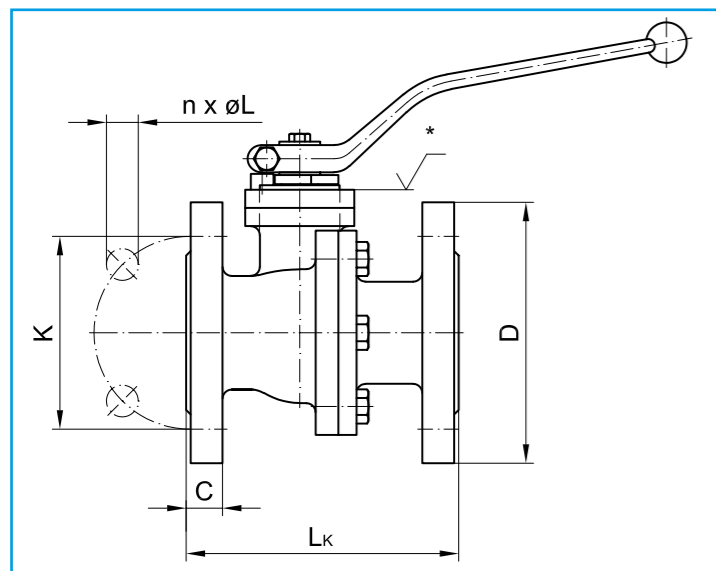
steel, zinc nickel plated

PN	Article no.
420	106040

Bolts included in delivery

2-way ball valves with flange connection

Steel and stainless steel · DIN · DN 15 - DN 200



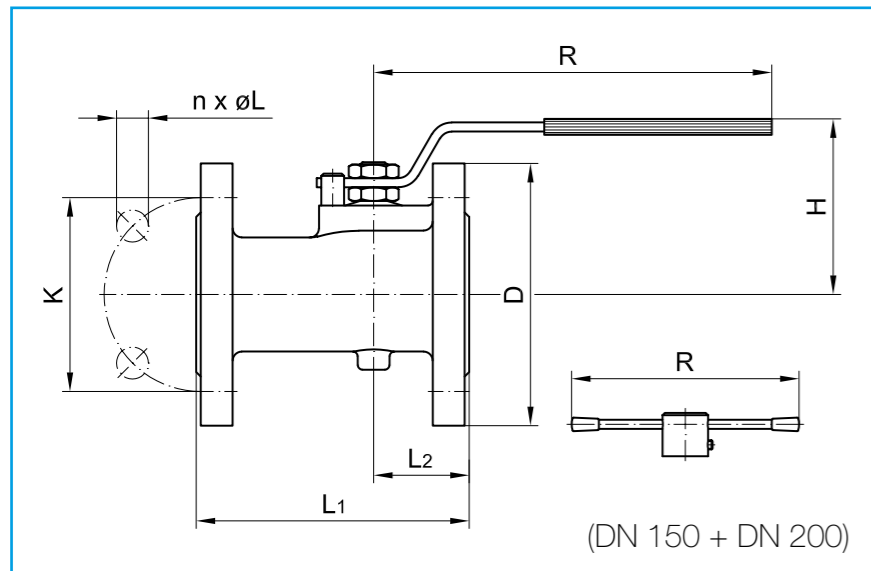
Flange-connecting dimension: DIN EN 1092-2 (DIN 2501-1)
 Overall length: DIN EN 558 basic range 27 (DIN 3202-1-F4/F5)
 1) design with inspection certificate according to DIN EN 10204
 2) deviating from the standard PN 40
 All dimensions subject to change without notice
 Dimensions in mm | Weight in kg | Pressure in bar

Body:	GS	stainless steel	stainless steel
Ball:	stainless steel	stainless steel	stainless steel
Stem:	stainless steel	stainless steel	stainless steel
Ball seals:	PTFE	PTFE	PTFE
Stem seals:	PTFE	PTFE	PTFE

Connection	DN	D	C	K	Number n	ØL	Lk	*porting pattern DIN EN ISO 5211	DN	Article no.	Weight	Article no.	Weight	Article no. ¹⁾	Weight
PN 10	15	95	16 ²⁾	65	4	14	115	F 05	15	105271	3.9	105071	3.0	105215	3.9
	20	105	18 ²⁾	75	4	14	120	F 05	20	105272	4.4	105072	3.6	105216	4.4
	25	115	18 ²⁾	85	4	14	125	F 05	25	105273	4.6	105073	4.5	105217	4.6
	32	140	18 ²⁾	100	4	18	130	F 05	32	105274	6.4	105074	6.1	105218	6.4
	40	150	18 ²⁾	110	4	18	140	F 07	40	105275	8.5	105075	8.2	105219	8.5
	50	165	20 ²⁾	125	4	18	150	F 07	50	105276	12.8	105076	10.7	105220	12.8
	65	185	18	145	4	18	170	F 10	65	105277	19.0	105077	13.5	105221	19.0
	80	200	20	160	8	18	180	F 10	80	105278	25.0	105078	21.0	105222	25.0
	100	220	20	180	8	18	190	F 10	100	105279	30.0	105079	28.6	105223	30.0
	125	250	22	210	8	18	325	F 12	125	105280	67.0	-	-	105224	67.0
PN 16	150	285	22	240	8	22	350	F 12	150	105281	100.0	-	-	105225	100.0
	200	340	24	295	8	22	400	F 12	200	105282	161.0	-	-	105242	161.0
	15	95	16 ²⁾	65	4	14	115	F 05	15	105271	3.9	105071	3.0	105215	3.9
	20	105	18 ²⁾	75	4	14	120	F 05	20	105272	4.4	105072	3.6	105216	4.4
	25	115	18 ²⁾	85	4	14	125	F 05	25	105273	4.6	105073	4.5	105217	4.6
	32	140	18 ²⁾	100	4	18	130	F 05	32	105274	6.4	105074	6.1	105218	6.4
	40	150	18 ²⁾	110	4	18	140	F 07	40	105275	8.5	105075	8.2	105219	8.5
	50	165	20 ²⁾	125	4	18	150	F 07	50	105276	12.8	105076	10.7	105220	12.8
	65	185	18	145	4	18	170	F 10	65	105277	19.0	105077	13.5	105221	19.0
	80	200	20	160	8	18	180	F 10	80	105278	25.0	105078	21.0	105222	25.0
PN 25 PN 40	100	220	20	180	8	18	190	F 10	100	105279	30.0	105079	28.6	105223	30.0
	125	250	22	210	8	18	325	F 12	125	105280	67.0	-	-	105224	67.0
	150	285	22	240	8	22	350	F 12	150	105281	100.0	-	-	105225	100.0
	200	340	24	295	12	22	400	F 12	200	105283	161.0	-	-	105226	161.0
	15	95	16	65	4	14	115	F 05	15	105284	3.9	105084	3.0	105230	3.9
	20	105	18	75	4	14	120	F 05	20	105285	4.4	105085	3.6	105231	4.4
	25	115	18	85	4	14	125	F 05	25	105286	4.6	105086	4.5	105232	4.6
	32	140	18	100	4	18	130	F 05	32	105287	6.4	105087	6.1	105233	6.4
	40	150	18	110	4	18	140	F 07	40	105288	8.5	105088	8.2	105234	8.5
	50	165	20	125	4	18	150	F 07	50	105289	12.8	105089	10.7	105235	12.8
65	185	22	145	8	18	170	F 10	65	105290	20.0	105090	14.5	105236	20.0	
80	200	24	160	8	18	180	F 10	80	105291	25.0	105091	22.6	105237	25.0	
100	235	24	190	8	22	190	F 10	100	105292	33.5	105092	30.8	105238	33.5	
125	270	26	220	8	26	325	F 12	125	105293	72.0	-	-	105239	72.0	
150	300	28	250	8	26	350	F 12	150	105294	106.0	-	-	105240	106.0	

2-way ball valves with flange connection

Grey cast iron · sim. to DIN · DN 25 - DN 200



Overall length: DN 25 - DN 150: DIN EN 558 basic range 14 (DIN 3202-1-F4)

Overall length: DN 200: DIN EN 558 basic range 15 (DIN 3262-1-F5)

All dimensions subject to change without notice

Dimensions in mm | Weight in kg | Pressure in bar

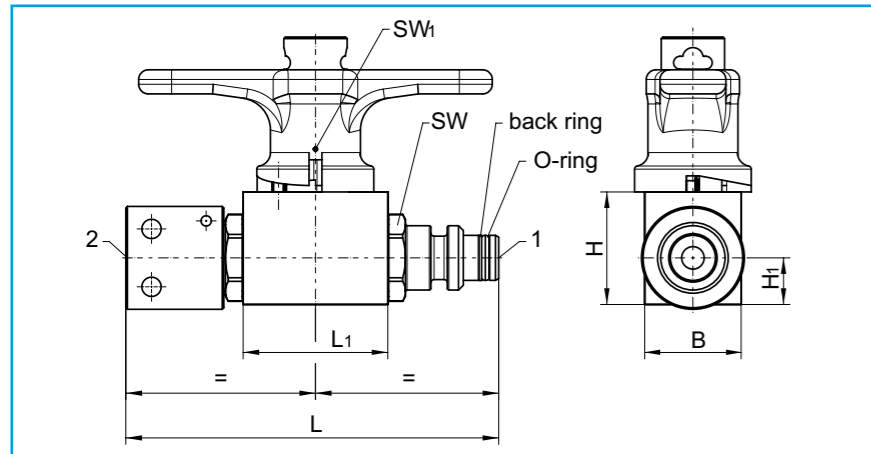
Body:	GG
Ball:	brass
Stem:	steel
Ball seals:	PTFE
Stem seals:	NBR

Connection	DN	D	K	Number n	ØL	L1	L2	H	R	Weight
PN 10 PN 16	25	115	85	4	M 12	125	42	79	174	3.1
	32	140	100	4	M 16	130	47	85	174	4.8
	40	150	110	4	M 16	140	49	103	250	6.1
	50	165	125	4	M 16	150	52	110	250	7.8
	65	185	145	4	M 16	170	65	126	321	11.4
	80	200	160	8	M 16	180	66	137	321	14.1
	100	220	180	8	M 16	190	89	158	381	20.0
	125	250	210	8	M 16	200	100	180	381	30.4
	150	285	240	8	M 20	210	105	265	700	44.5
	200	340	295	8	Ø22	400	200	308	700	103.0

DN	Article no.
25	105050
32	105051
40	105052
50	105053
65	105054
80	105055
100	105056
125	105057
150	105058
200	105059

2-way ball valves with staple-lock connector

Steel · DN 6 - DN 25



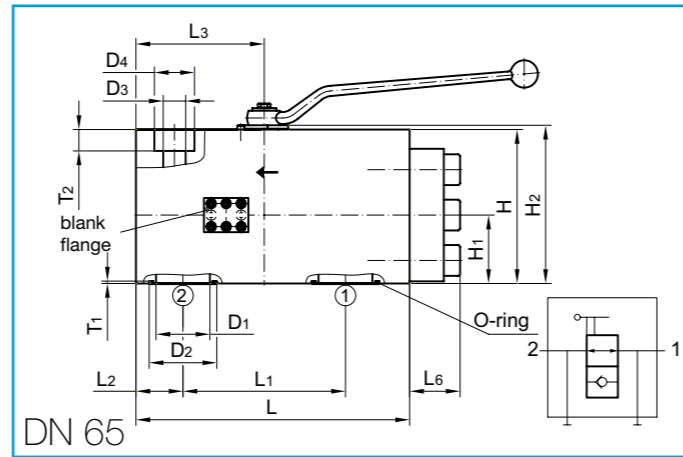
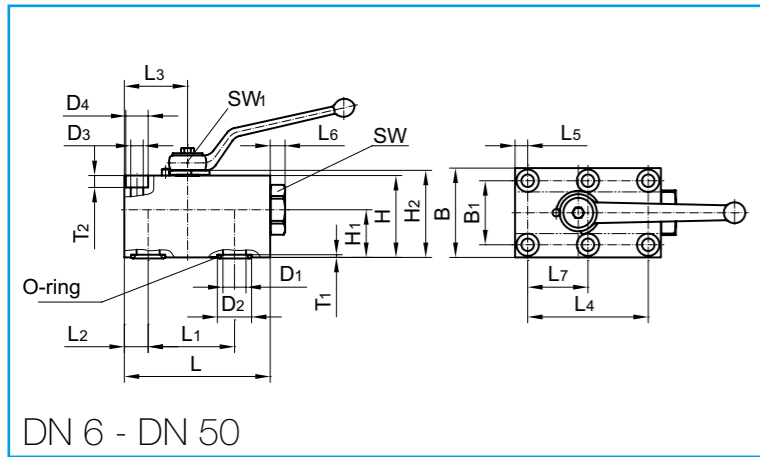
Handle, o-ring and back-ring included in delivery
 Actuators and custom orders on request
 All dimensions subject to change without notice
 Dimensions in mm | Weight in kg | Pressure in bar

Body:	steel, zinc nickel plated
Ball:	steel, hard chrome plated
Stem:	steel, zinc nickel plated
Ball seals:	POM
Stem seals:	NBR

Connection	DN	L	L ₁	B	H	H ₁	SW	SW ₁	Weight	DN	O-ring	PN	Article no.
Staple lock female x male connector DIN 20043-2 DIN 20043-1	6	102	36	20	25	10.0	19	7	0.4	6	6 x 2.0	500	103011
	10	114	45	30	35	14.5	24	8	0.6	10	10 x 2.0	500	103012
	12	118	51	35	40	17.0	30	10	0.8	12	13 x 2.5	500	103013
	19	130	60	45	55	24.0	41	14	1.5	19	19 x 2.5	420	103014
	25	152	70	55	60	26.0	50	14	2.3	25	25 x 2.5	420	103015
female x female connector DIN 20043-2	6	102	36	25	25	10.0	19	7	0.4	6	-	500	103021
	10	114	45	35	35	14.5	24	8	0.6	10	-	500	103022
	12	118	51	40	40	17.0	30	10	0.8	12	-	500	103023
	19	130	60	55	55	24.0	41	14	1.6	19	-	420	103024
	25	152	70	60	60	26.0	50	14	2.4	25	-	420	103025
male x male connector DIN 20043-1	6	102	36	25	25	10.0	19	7	0.3	6	6 x 2.0	500	103031
	10	114	45	35	35	14.5	24	8	0.5	10	10 x 2.0	500	103032
	12	118	51	40	40	17.0	30	10	0.7	12	13 x 2.5	500	103033
	19	130	60	55	55	24.0	41	14	1.4	19	19 x 2.5	420	103034
	25	152	70	60	60	26.0	50	14	2.2	25	25 x 2.5	420	103035

2-way ball valves for manifold mounting

Steel · DN 6 - DN 65



Handle and o-rings included in delivery
 For handle refer to "Attachments, accessories"
 Custom orders on request
 All dimensions subject to change without notice
 *) DN 32 to DN 65: grey cast iron
 Dimensions in mm | Weight in kg | Pressure in bar

**Bypass- ball valve instead of blank flange retrofittable,
 also deliverable completely assembled with bypass-ball valve**

Body*:	steel, black oxide	steel, zinc nickel plated	steel, black oxide
Ball:	steel, hard chrome plated	steel, hard chrome plated	steel, hard chrome plated
Stem:	steel, zinc nickel plated	steel, zinc nickel plated	steel, zinc nickel plated
Body seals:	NBR	NBR	FKM
Ball seals:	POM	POM	POM
Stem seals:	NBR	NBR	FKM

Connection	DN	L	L1	L2	L3	L4	L5	L6	L7	B	B1	H	H1	H2	T1	T2	DN	D1	D2	D3	D4
Body-Flange with o-ring-seal	6	59	35	8.5	23.5	35	8.5	4.5	17.5	40	27	35	20	38	1.8	6.8	6	6.0	12.0	6.4	11
	10	73	44	10.0	29.0	55	7.5	7.0	27.5	55	40	45	25	49	1.8	8.0	10	9.5	15.0	8.4	-
	12	98	58	16.0	42.5	83	7.5	10.0	41.5	60	45	55	32	59	1.8	8.0	12	12.5	25.0	8.4	-
	20	117	69	20.0	52.0	97	10.0	12.0	48.5	70	51	70	39	74	2.7	11.0	20	20.0	30.0	10.5	17
	25	138	81	24.0	62.0	115	10.0	7.0	57.5	80	60	80	46	84	2.7	11.0	25	24.0	35.0	10.5	17
	32	165	96	29.0	75.0	136	12.0	11.0	68.0	100	78	100	57	105	2.7	12.0	32	32.0	40.0	13.0	19
	40	175	112	28.5	84.5	112	28.5	25.0	56.0	130	95	100	53	105	2.7	17.5	40	38.0	48.5	17.0	26
50	215	136	38.0	106.0	136	38.0	25.0	68.0	150	112	110	55	115	2.7	20.0	50	48.0	55.5	21.0	33	
65	320	190	55.0	150.0	210	45.0	63.0	105.0	235	185	157	79	162	2.8	25.5	65	62.0	79.0	26.0	40	

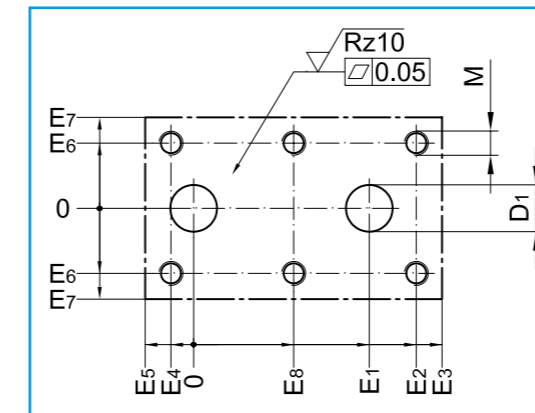
SW	SW1	Handle code	Weight	For cylinder head screw DIN EN ISO 4762 (DIN 912)
24	7	12	0.6	M 6
32	8	13	1.2	M 8
36	10	14	2.3	M 8
-	14	15	4.0	M 10
50	14	15	5.8	M 10
70	17	21	11.0	M 12
-	17	21	15.3	M 16
-	17	22	23.2	M 20
-	17	22	101.5	M 24

PN	Article no.	PN	Article no.	PN	Article no.
500	106021	500	700162	500	106031
500	106022	500	700163	500	106032
500	106023	500	700164	500	106033
420	106024	420	700165	420	106034
420	106025	420	700166	420	106035
420	106026	420	700167	420	106036
420	106027	420	700168	420	106037
420	106028	420	700169	420	106038
420	106041	420	700170	420	106042

Drilling pattern

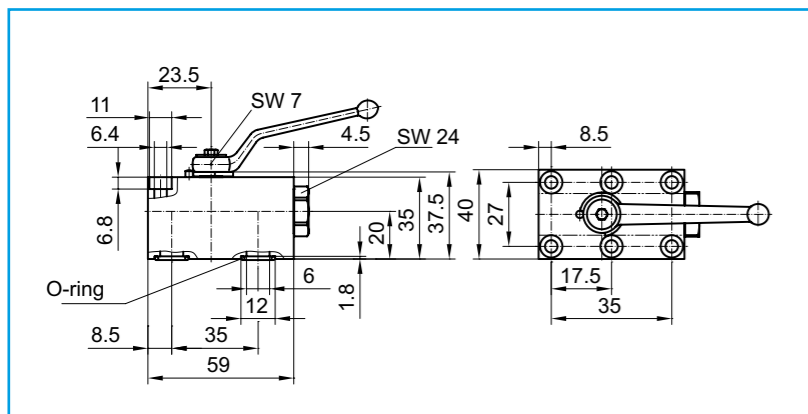
DN	D1	E1	E2	E3	E4	E5	E6	E7	E8	M	O-ring
6	6.0	35	35.0	50.5	0.0	8.5	13.5	20.0	17.5	M 6	7.50 x 2.50
10	9.5	44	52.5	63.0	2.5	10.0	20.0	27.5	25.0	M 8	10.50 x 2.50
12	15.5	58	74.5	82.0	8.5	16.0	22.5	30.0	33.0	M 8	20.50 x 2.50
20	20.0	69	87.0	97.0	10.0	20.0	25.5	35.0	38.5	M 10	23.50 x 3.50
25	24.0	81	101.0	114.0	14.0	24.0	30.0	40.0	43.5	M 10	28.50 x 3.50
32	32.0	96	119.0	136.0	17.0	29.0	39.0	50.0	51.0	M 12	33.50 x 3.50
40	38.0	112	112.0	146.5	0.0	28.5	47.5	65.0	56.0	M 16	42.00 x 3.50
50	48.0	136	136.0	177.0	0.0	38.0	56.0	75.0	68.0	M 20	49.00 x 3.50
65	62.0	190	200.0	265.0	10.0	55.0	92.5	117.5	95.0	M 24	72.66 x 3.53

Drilling pattern



steel, zinc nickel plated

Bypass-ball valve for DN 65



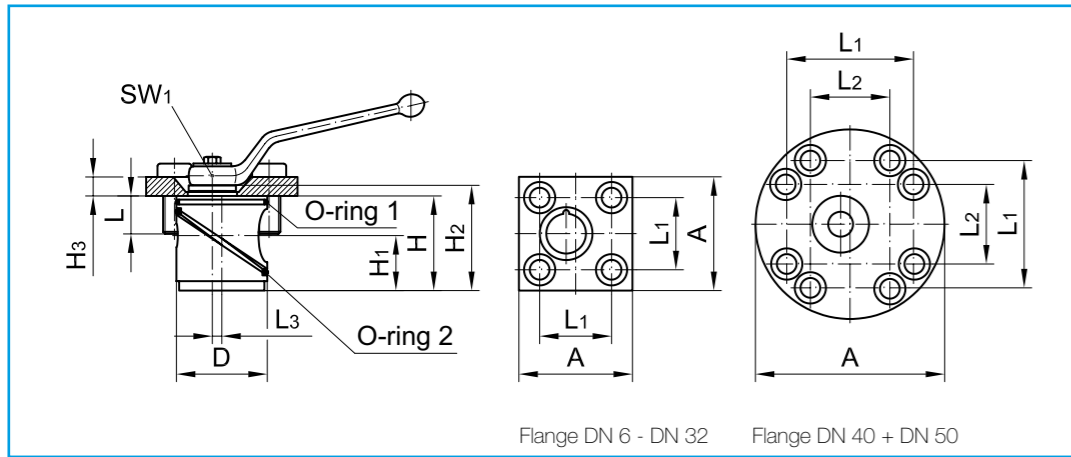
DN	Handle code	Weight	O-ring
6	12	0.6	7.5 x 2.50

Bolts included in delivery

PN	Article no.
420	106040

2-way ball valves for manifold insertion as cartridge type

Steel · DN 6 - DN 50



Handle and attachment screws included in delivery
 For handle refer to "Attachments, accessories"
 Actuators and custom orders on request
 All dimensions subject to change without notice
 Dimensions in mm | Weight in kg | Pressure in bar

Body:	steel, black oxide	steel, black oxide	stainless steel
Ball:	steel, hard chrome plated	steel, hard chrome plated	stainless steel
Stem:	steel, zinc nickel plated	steel, zinc nickel plated	stainless steel
Body seals:	NBR	FKM	FKM
Ball seals:	POM	POM	PEEK
Stem seals:	NBR	FKM	FKM
Stop plate:	steel, zinc nickel plated	steel, zinc nickel plated	steel, zinc nickel plated

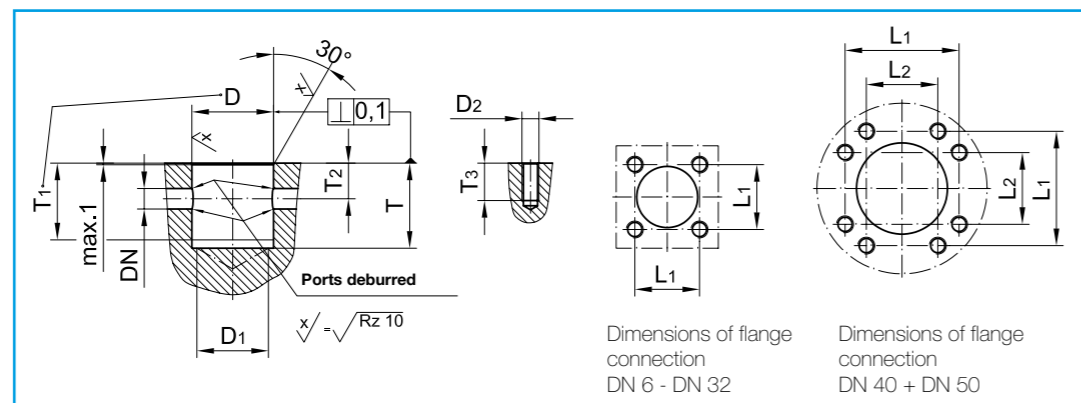
Connection	DN	D	H	H ₁	H ₂	H ₃	L	L ₁	L ₂	L ₃	SW ₁	A	Handle DN code	O-ring 1	O-ring 2	
Cavity	6	36	34.6	21.0	40.5	8	20	38	-	5.0	7	60	12	6	31.00 x 1.50	32.00 x 3.00
	10	45	45.4	27.0	50.0	10	20	50	-	5.0	8	80	13	10	40.00 x 2.00	42.00 x 3.00
	12	48	49.9	29.0	56.5	10	20	50	-	5.0	10	80	14	12	43.00 x 2.00	46.00 x 3.00
	16	54	53.9	31.0	59.5	10	20	60	-	5.5	10	90	14	16	49.00 x 2.00	50.39 x 3.53
	20	63	64.9	36.0	74.5	18	25	70	-	7.0	14	100	15	20	55.20 x 3.00	61.00 x 3.50
	25	70	70.9	39.0	81.0	18	25	70	-	7.0	14	100	15	25	63.00 x 3.00	67.00 x 4.00
	32	92	90.0	47.5	122.5	35	30	100	-	10.0	17	140	21	32	82.14 x 3.53	92.00 x 5.00
	40	107	106.0	56.0	140.5	35	30	134	84	10.0	17	200	21	40	98.02 x 3.53	108.00 x 6.00
50	126	120.0	63.0	155.0	35	30	152	96	11.0	17	230	22	50	117.07 x 3.53	124.00 x 6.00	

Weight	For cylinder head screws DIN EN ISO 4762 (DIN 912)
0.6	M 10 x 25
1.1	M 12 x 25
1.3	M 12 x 25
1.6	M 12 x 25
3.0	M 16 x 35
3.4	M 16 x 35
9.1	M 20 x 50
14.7	M 20 x 50
20.6	M 20 x 50

PN	Article no.	PN	Article no.	PN	Article no.
500	107001	500	107021	500	107061
500	107002	500	107022	500	107062
420	107003	420	107023	420	107063
315	107009	315	107029	315	107064
315	107004	315	107024	315	107065
315	107005	315	107025	315	107066
315	107006	315	107026	315	107067
315	107007	315	107027	315	107068
315	107008	315	107028	315	107069

DN	D	D ₁	D ₂	L ₁	L ₂	T	T ₁	T ₂	T ₃
	H ₉	max.		±0.2	±0.2	0.1	0.2	0.1	min.
6	36	31	M 10	38	-	34,7	33	13.6	22
10	45	39	M 12	50	-	45,5	41	18.4	22
12	48	42	M 12	50	-	50,0	45	20.9	22
16	54	47	M 12	60	-	54,0	49	22.9	22
20	63	55	M 16	70	-	65,0	61	28.9	28
25	70	62	M 16	70	-	71,0	66	31.9	28
32	92	80	M 20	100	-	90,0	86	42.5	33
40	107	95	M 20	134	84	106,0	101	50.0	33
50	126	115	M 20	152	96	120,0	115	57.0	33

Drilling pattern



Mounting-tool

DN	Article no.
6	107051
10	107052
12	107053
16	107054
20	107055
25	107056
32	107057
40	107058
50	107059